



# VOLVO XC90

MY2018



# INNOVATION FOR PEOPLE

**At Volvo Cars,** we continuously innovate in order to make your life better. Every car, every technology and every design is the result of a clear vision – to put people at the heart of everything we do. It's a vision that has driven us from the start and that has inspired us to create the likes of the three-point seat belt and side-impact airbags – inventions that have saved lives and changed automotive history. With our new generation of cars we continue with this tradition. Scandinavian design combines with modern Swedish luxury to enrich your experience. Intuitive Sensus technology makes life less complicated and keeps you connected with the world, while the latest Drive-E powertrains balance responsive power with class-leading efficiency. And supporting you while you are driving, our IntelliSafe innovations make your journey more comfortable and enjoyable while helping to prevent accidents.

We understand what's important to people. It forms the basis of all the innovations that we create. Innovations that improve lives. At Volvo Cars, we design our cars around you.



## Contents

Exterior Design.....	2	Chassis.....	20	Accessories.....	42
Interior Design.....	4	Trim Levels.....	22	Option Packages.....	48
Sensus.....	6	Momentum.....	24	The Volvo Experience.....	52
IntelliSafe.....	12	R-Design.....	30	Facts and Figures.....	56
Drive-E.....	16	Inscription.....	36		

## VOLVO XC90

### ROAD PRESENCE

*Be impressed, quite simply.*

**You know you're** looking at truly great design when what appears simple at first glance turns out to be ingenious and stimulating once you discover the thoughts and details that make up the whole. As with any luxury item – a finely crafted watch, a bespoke suit – its beauty might be obvious, but its true value is only revealed when you discover the expertise, the craftsmanship and the passion that went into making it.

The Volvo XC90 has this quality. Appropriately for a full-sized SUV, it exudes power, particularly with the upright grille and strong shoulders, both of which are classic Volvo styling cues. As Volvo Cars' exterior designer Anders Gunnarsson says, "The car has an attitude that expresses confidence and self-belief. If you're proud and relaxed about your position in the world, you'll stand upright – just like the Volvo XC90."

Despite this sense of presence, the design is also exquisitely subtle: "It grows on you," says Thomas Ingenlath, Volvo Cars' Senior Vice President of Design. "It's not all spectacle – it's about leaving the proportions and the technology underneath to create the drama. You suddenly realize how much sheet metal movement there is in the side section – how it grows over the rear wheel. It's about perfect execution, and that took such a long time to achieve."

"The task to design the rear was more difficult," says Ingenlath. "We didn't want to use the elements that everyone else is using to make a car look more powerful. Most other car manufacturers are using horizontal lines. We used vertical lines. That is something that can be difficult. If you are good at it, you give a car an incredible status. We achieved that kind of status by reduction – not going into the horizontal but staying proud and upright. That is a nice aspect."

**T6 AWD | Inscription**  
717 Onyx Black Metallic |  
21" 8-Spoke Silver Diamond Cut Alloy Wheels – 174

*"As with any luxury item – a finely crafted watch, a bespoke suit – its beauty might be obvious, but its true value is only revealed when you discover the expertise, the craftsmanship and the passion that went into making it."*



Fine Perforated Nappa Leather |  
Blond in Blond/Charcoal Interior UC00 |  
Linear Walnut Wood Inlays, 315

## INSIDE YOUR CAR

*Your own space, wherever you go.*

**Travelling in the** Volvo XC90 always feels special, from the moment you pick up your sculptured remote control key. Inside the lavishly appointed cabin, luxurious materials and superb craftsmanship meet with uncluttered elegance. The airy interior gives you the luxury of space and calm – no matter which of the three seat rows you sit in. The mood of tranquil seclusion is accentuated by eye-catching details like the “flying wings” controls, inspired by high-end amplifiers. Other touches include the diamond-knurled control surfaces and the beautifully framed tablet-sized centre display with touchscreen, which takes pride of place in the centre stack. Our CleanZone technologies filter out harmful gases and particles, ensuring you and your passengers breathe easy – even in polluted cities. And you'll love our 19-speaker Bowers & Wilkins, which offers sublime concert-quality sound for the most exacting audiophiles.



*"Sensus connects you with your Volvo and the rest of the world."*

## SENSUS

*Intuitive, intelligent technology to always keep you connected.*

**Sensus connects you** with your Volvo and the rest of the world. It keeps you informed, entertained and in control of your journey.

Intuitive, easy-to-use controls are a prime feature of Sensus and you will find them on the large, 9" Sensus Touchscreen. Replacing physical buttons with virtual equivalents on the screen allows them to be larger and more accessible. Bold, clear graphics make it easy to absorb information at a glance. Our philosophy has always been that you should be able to operate your Volvo and keep your eyes on the road. The optional head-up display means you can do just that.

Sensus goes further, with in-car WiFi keeping your devices connected to the internet, while our audio systems offer considerable flexibility when it comes to choosing your desired music source and tailoring its sound.



## CONNECTING YOU WITH A WORLD OF ENTERTAINMENT

**Get closer** to the music you love, no matter which seat you're in. With Sensus Connect, all of your music is available all of the time, whether it's direct from your favourite media source or streaming from the internet.

It all begins with the 9" Sensus Touchscreen, the control centre. The surface responds to the lightest of touches – you only need to brush your fingers over the glass to operate its controls. It even works with gloved hands.

Connecting your devices is quick and easy. With our smartphone integration, you simply plug your smartphone into the car using the USB connection, and you can turn the centre display into an exten-

sion of your iPhone® (5 or later) or Android smartphone (5.0 Lollipop or later). You can connect via Apple CarPlay™ or Android Auto™ to access your device's music, make calls and send messages. When connected, your phone will be charging too.

Your choice of entertainment is not limited to what you have on your smartphone or portable audio player. WiFi and tethered internet increases your options, with a fast and stable connection through the roof aerial. Our High Performance audio system is tuned to make the most of your music, while Bowers & Wilkins™ takes the listening experience to another level.



**Our Bowers & Wilkins** audio system brings exceptional clarity and realism to your favourite music. The unique air-ventilated subwoofer delivers richer, deeper bass by drawing air in from outside the car so it can pulse more air through the speaker. There are 19 speakers available, allowing everyone in the car to get the best possible sound all the time.



Get closer to the performance by using one of the system's three room modes to bring the music to life. Concert mode recreates the unique acoustic experience of the Gothenburg Concert Hall, while Stage and Studio modes put you at the heart of the music, allowing you to hear it as the musicians intended.

Apple CarPlay is a trademark of Apple Inc.  
Android Auto is a trademark of Google Inc.  
Bowers & Wilkins is a trademark of B&W Group, Ltd.

*"Turn the center display into an extension of your smartphone using our Smartphone Integration."*



**9" Sensus Touchscreen.** It's the focal point of the elegant cabin with a portrait format to provide you with a large viewable area, which means less scrolling. This format is perfectly suited to displaying maps and mirrors the look of modern smartphones in its layout, so it

feels instantly familiar and intuitive. It features a glossy black finish that, thanks to a special coating, minimizes reflection – so it not only looks beautiful but works beautifully.

**T6 AWD | Inscription**  
Panoramic Moonroof | 717 Onyx Black Metallic |  
21" 8-Spoke Silver Diamond Cut Alloy Wheels, 174



**Volvo On Call** makes life easier and enhances the experience of owning a Volvo. It's a safety, security and convenience feature that includes a mobile app.

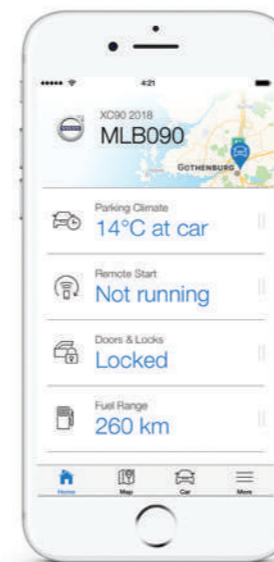
The remote engine start lets you begin every drive in comfort. Heat and defrost your car on cold mornings and cool your car on hot days before you even get in. You can also check if a window or the tailgate is open, and see if your car is locked, then lock it or unlock it, all with the touch of a button.

Plan journeys from home by searching for destinations in the app or from a computer and sending them to your car – so when you're ready to go, so is the navigation system. Volvo On Call can even sync with your calendar to remind you of appointments, then tell you how to get there.

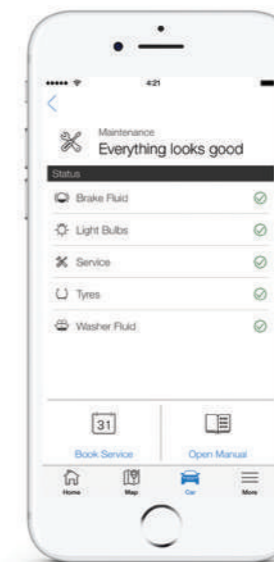
It's easy to find your car in a crowded parking lot. Just use the app's car locator function to flash the lights or honk the horn. With Volvo On Call, you can also check your fuel level, log journey data, and find out when your Volvo is due for service.

When you need help, Volvo On Call is ready. Just push a button and connect to the service centre to get roadside assistance. And if the airbags are deployed in a collision, Volvo On Call will detect it and send help, even if you are not able to push the SOS button yourself. Plus, Volvo On Call alerts you if your alarm goes off and helps the police track your car if it's stolen.

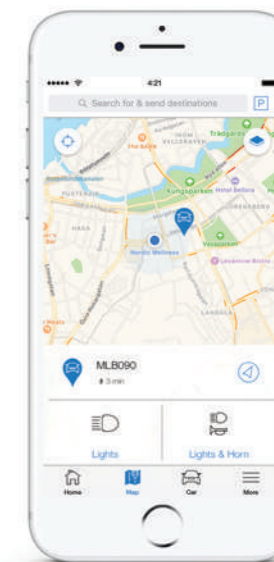
The app is compatible with your smartphone, iPad®, Windows 10-based PC or tablets, and wearables such as Apple Watch. These mobile app services are included for four years after you purchase your car. Volvo On Call is one more example of human-centric innovations, developed by Volvo Cars to improve your life.



Start your vehicle, lock or open your doors or tailgate and check your fuel level directly through your smartphone.



Check your fluid levels, maintenance status and tire pressure remotely through your Volvo On Call app.



Locate your vehicle in a crowded parking lot through the app's Car Locator function, which will flash the lights and honk the horn.

## INTELLISAFE

*Always looking out for you.*

**IntelliSafe** is our name for the intuitive, intelligent Volvo Cars technologies that support your driving, help prevent accidents and protect you in a collision. These innovations play a key role in helping us achieve our bold vision that, by 2020, no one will be killed or seriously injured in a new Volvo car.

City Safety is at the heart of IntelliSafe. Fitted as standard, it's like a co-pilot who's looking out for you, detecting danger ahead then warning you and intervening, if necessary. City Safety identifies other vehicles, pedestrians, cyclists and large animals ahead of you, even at night. It warns you of any hazards, and if you don't react, it will brake automatically to help avoid or mitigate a collision.

Available Pilot Assist adjusts the steering to help you keep the car centred in its lane and at a set speed and distance from the car in front. Oncoming Lane Mitigation can help avoid collisions with oncoming vehicles by automatically steering the car out of

the way. If you drift across the lane markings into the way of an oncoming vehicle, your car will help to steer you back into your lane. Run-off Road Mitigation steers and, if necessary, brakes to help prevent you leaving the road accidentally. Driver Alert Control recognizes if you're tired or distracted and suggests that it's time to take a break, while Road Sign Information reminds you of the speed limit.

Optional Blind Spot Information System (BLIS) with Steer Assist increases awareness and confidence on the road, alerting you to vehicles along your car. If you do not react to the warning and start to drift into the path of another vehicle, the Steer Assist function will gently guide you back into your lane.

With safety technology that's as advanced as this, your Volvo can help make every day safer. For you, your passengers and everybody.

**Light up the dark.** Our signature design LED headlights combine an impactful look with safety and convenience. They have an especially wide and long beam pattern. Active High Beam technology allows you to stay on high beam all the time – no flicking between high

and low beams necessary. When you meet another vehicle, our Full-LED Active Highbeam lights automatically shift between highbeam and lowbeam to avoid interfering with other drivers – you still get the benefit of a brightly lit road.







## PROTECTING WHAT'S MOST IMPORTANT

**Protecting you and** your passengers has always been our priority at Volvo Cars, and our latest generation of vehicles does more than ever to keep you safe. From preventive technology that helps you avoid accidents to protective features that cushion the impact of any collision, we will never stop innovating in order to improve your safety.

The foundation for our new generation of cars is a very strong passenger compartment that uses a high percentage of ultra high-strength boron steel to create a protective cage around you and

your passengers. Should your car leave the road, Run-off Road Protection technology reduces your chances of serious injury. Prepared, front seat belts automatically tighten when the car senses that an impact is imminent, ensuring that you and your passenger are in the safest position if a collision occurs. If the car leaves the ground as a result of running off the road, our unique energy-absorbing seats help to protect your spine in the event of a hard landing.



The body of the Volvo XC90 is designed for maximum strength around the passenger compartment and maximum energy dissipation in the front and rear crumple zones.



Prepared, seat belts tighten automatically if the car detects that a collision is likely, to ensure you're in the safest position should one occur.

**T8 eAWD Plug-In Hybrid | Inscription**  
 717 Onyx Black Metallic | 21" 8-Spoke  
 Silver Diamond Cut Alloy Wheels, 174

*"Balancing performance and efficiency, every Volvo powertrain gives you on-demand power with low fuel consumption and emissions."*

## DRIVE-E

*Enjoying more, using less.*

**Drive-E is our** new generation, all-embracing approach to efficient power and an uncompromising driving experience. In fact, it redefines how luxury cars will be powered in the 21<sup>st</sup> century. It delivers the performance and driving enjoyment you would expect from a luxury SUV as well as reduces the impact on the environment. This means you get power and driveability together with low fuel consumption and CO<sub>2</sub> emissions.

The key to this is our new, lightweight, low-friction, turbocharged and supercharged 2.0L four-cylinder engine, which is coupled with our newly-designed automatic eight-speed Geartronic™ transmission. To maximize the efficiency of our Drive-E powertrains, there is Eco Mode, which calibrates the gearbox and engine control systems for the lowest possible fuel consumption. Eco Mode also softens the throttle response to further boost efficiency. Since the air-conditioning impacts fuel use, it is partly disengaged in this mode, although it can be fully switched on manually. There is also the Eco-Coast function, which uses the car's kinetic energy to save fuel. When the driver stops pressing the accelerator at speeds above 65 km/h, there is no engine braking; the car just coasts along with the engine at idle. Finally, the Stop/Start system also plays its part in lowering fuel consumption.

This technology enables us to offer the power of a much larger engine from a compact four-cylinder to achieve the perfect mix of power and efficiency.



**T8 eAWD Plug-In Hybrid | Inscription**  
707 Crystal White Metallic | 21" 8-Spoke  
Silver Diamond Cut Alloy Wheels, 174

## DOUBLE POWER OF PLUG-IN HYBRID

With advanced powertrain technologies such as electrification, we aim to provide you with an unrivaled driving experience. In fact, we've focused on electrification and Plug-In Hybrid technology for more than 40 years. This experience, together with advanced research, puts Volvo Cars in the forefront of technology. Our latest powertrain advancement, the high-performance T8 eAWD Plug-In Hybrid technology, allows you to enjoy an engaging drive as well as cutting CO<sub>2</sub> emissions.

Combining a supercharged and turbocharged 2.0L Drive-E gas powertrain with an electric motor, the Volvo T8 eAWD Plug-In Hybrid puts out an astonishing amount of horsepower with a tremendous amount of torque. It can also be driven with fuel consumption and emission levels that would put a compact car to shame. Not only does this gas Plug-In Hybrid offer performance and fuel efficiency – because the compact, high-capacity battery is mounted centrally along the transmission tunnel, the XC90 T8 eAWD Plug-In Hybrid also handles supremely well.

The Plug-In Hybrid features different drive modes to suit virtually any driving environment. Pure mode is all about reducing

fuel consumption and emissions. Working at speeds of up to 125 km/h, it uses electric power as much as possible, sending it to the rear wheels. But because the high-performance gasoline engine can be called upon at any time, there's never any worry about distance.

Hybrid is the default mode. Geared to maximum comfort, this mode uses the electric motor at the rear wheels as well as the gasoline engine, which drives the front wheels. It does this either individually or in parallel to achieve an optimum balance between performance and efficiency.

Power mode, on the other hand, unleashes the combined forces of gas and electric at the same time to all four wheels, while the steering, transmission and brakes are tuned for sportiness. The eAWD (all-wheel drive) mode improves traction, and in addition, the Off Road mode engages an electronically-controlled, limited slip differential function and can help you negotiate rugged roads at speeds below 20 km/h. Your Volvo XC90 can be a silent-running zero-emission city car, a blistering performance SUV, a supremely versatile seven-seater or a reassuring companion in challenging conditions.



Throughout its life, our XC90 will consume less fuel than comparable rivals with larger displacement engines, resulting in large fuel savings and lower CO<sub>2</sub> emissions.



The XC90 T8 eAWD Plug-In Hybrid gives you pure electric driving with zero emissions in whisper-quiet comfort, covering many everyday driving scenarios.



As a symbol of the pure electric mode of your XC90 T8 eAWD Plug-In Hybrid, the gear shifter is made of pure Swedish crystal by Orrefors®.

*"Our very powerful T8 eAWD Plug-In Hybrid delivers astonishing performance without compromising on fuel efficiency and low emissions."*



**T8 eAWD Plug-In Hybrid | Inscription**  
 717 Onyx Black Metallic | 21" 8-Spoke  
 Silver Diamond Cut Alloy Wheels, 174

## FIRM CONTROL WITH A VELVET TOUCH

The Volvo XC90 incorporates our very latest electronic support systems that constantly adjust to changing road conditions and driving styles. For example, our Hill Start Assist function makes it easier to start off on a steep hill. And for difficult roads and poor weather conditions, all-wheel drive and Hill Descent Control ensure you embark on your journey with confidence.

The XC90 is available with air suspension on all four wheels, which includes a very advanced, electronically-controlled damper system. Not only does this give you outstanding ride comfort, you also have the option to choose between different drive modes that cater to individual driving styles and increase the car's versatility in all road and weather conditions.

In Comfort mode, the air suspension is tuned for maximum comfort, while Eco Mode optimizes settings for low fuel consumption and CO<sub>2</sub> emissions. Dynamic or Power mode lowers the car by 20 mm (0.8") at higher speeds to optimize aerodynamics and handling, while the Off Road mode increases ground clearance by 41 mm (1.6") at low speeds. The modes are simple to change using an elegant and ergonomic roller control between the front seats.

With the air suspension system, you can lower the rear of the car by 51 mm (2.0") by pushing a button inside the cargo area. This makes it easier to lift heavy items into your car or to attach a trailer to the tow hook.



Choose Off Road mode and the air suspension will raise the car by 41 mm (1.6"). Hill Descent Control is activated at the same time: the car brakes for you on steep gradients – all you need to do is steer. Off Road mode gets your XC90 to navigate challenging terrain just by turning the elegant drive mode selector to the desired position.



**T6 AWD | Inscription**  
707 Crystal White Metallic | Exterior Styling Accessories Urban |  
20" 10-Spoke Tinted Silver Diamond Cut Alloy Wheels, 173



**Volvo XC90 Momentum**  
The high level of standard equipment meets your demands on style, comfort and safety.



**Volvo XC90 R-Design**  
The thrill of a spirited drive, characterized by style, responsiveness and control.



**Volvo XC90 Inscription**  
The highly sophisticated expression of Swedish luxury.

## CREATE THE VOLVO XC90 OF YOUR CHOICE

To ensure you get your Volvo XC90 exactly as you want it, we have created a wide range of options, trim levels and personal expressions. The standard Momentum trim level provides you with the poise and technology you need as a discerning driver. Or if you're in for a

sportier style inside and out – take a look at R-Design. If you want to indulge your senses with the finest craftsmanship and design, you will feel at home in the Inscription. Whatever you prefer, you can rest assured there's a Volvo XC90 for you.



1



2



3



4

## THE RIGHT EQUIPMENT FOR YOUR DRIVE.

Choosing Volvo XC90 is easy. Now all you need is to select the trim level that's right for you. Our standard Momentum trim level will provide you with a high level of technology that will meet high demands on style, comfort and safety. For example, you can enjoy Sensus Connect with enhanced connectivity – such as the intuitive operation of the 9" centre display with touchscreen and voice control – and the clear sound reproduction of our high-performance audio system. Our CleanZone technology ensures you and your passengers can enjoy fresh cabin air even when driving in the city.

Of course, our world-leading IntelliSafe technologies including the award-winning City Safety Collision Avoidance Technology, Lane Keeping Aid, Road Sign Information, Run-off Road Mitigation, and Oncoming Lane Mitigation also are standard.

Our signature headlights with LED illumination, bright deco exterior design elements and 18" wheels will add to the exclusiveness and road presence of your XC90. Inside, aluminum tread plates welcome you every time you enter the cabin of your SUV. The stylish Leatherette or optional Leather upholstery and cross-brushed aluminum decor inlays further complement the interior ambience. A power adjustable 4-way lumbar support for the front seats including vertical adjustment makes it easy to optimize the support to your needs. When it's dark, the upgraded interior illumination enhances the luxurious feeling inside your XC90. You also have the benefit of a power-operated tailgate with comfort-opening hands-free function – just move your foot beneath the rear bumper and the tailgate opens at your convenience.



5



6

1. XC90 Momentum with LED illumination and 19" wheels. (Standard T6, Optional T5) 2. Signature LED illumination, the High-Gloss black grille and bright deco exterior details contribute to a both powerful and elegant appearance. 3. 19" 10-Spoke Turbine Silver Alloy Wheels complete the XC90 look. 4. Raised aluminum roof rails enhance the SUV aesthetic. 5. Sensus Connect includes the 12.3" Digital Driver Display, the 9" Sensus Touchscreen, voice control, USB inputs and our High Performance audio system with 10 speakers, Bluetooth® audio streaming, and Smartphone Integration. 6. Cargo opening scuff plates in stainless steel for stylish and convenient loading.



**18" 5-Spoke Sparkling Silver, 233**  
(Standard T5)



**19" 10-Spoke Turbine Silver Bright, 172**  
(Standard T6, Optional T5)



**19" 6-Spoke Turbine Silver Bright, 177**  
(Standard T8)



**20" 5-Double Spoke Tech Matte Black Diamond Cut, 234**  
(Optional T5 and T6)



**21" 10-Spoke Black Diamond Cut, 1014**  
(Optional T8)



**492**  
Savile Grey Metallic



**614**  
Ice White



**707**  
Crystal White Metallic



**711**  
Bright Silver Metallic



**714**  
Osmium Grey Metallic



**717**  
Onyx Black Metallic



**724**  
Pine Grey Metallic

## MOMENTUM

Providing a wide range of exterior colours and wheels, the Volvo XC90 Momentum allows you to create an SUV that's really you. Elegant 18" wheels in silver finish come standard, and you have the option of larger 20" or 21" wheels. The exterior colour you choose

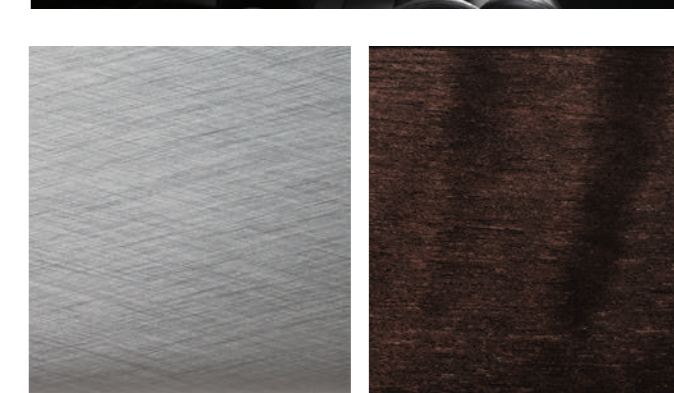
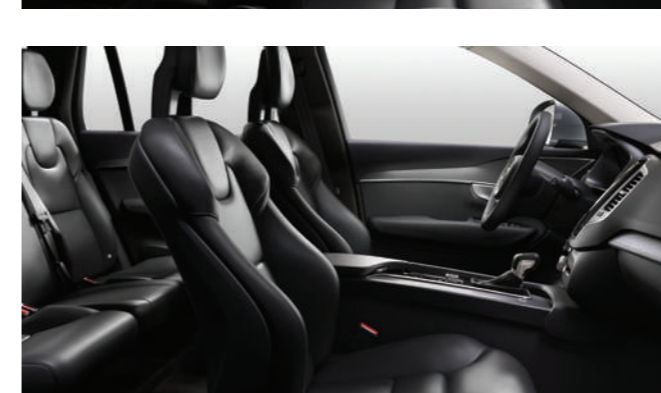
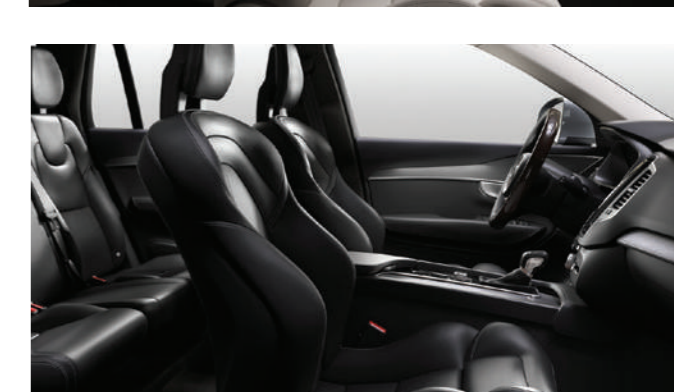
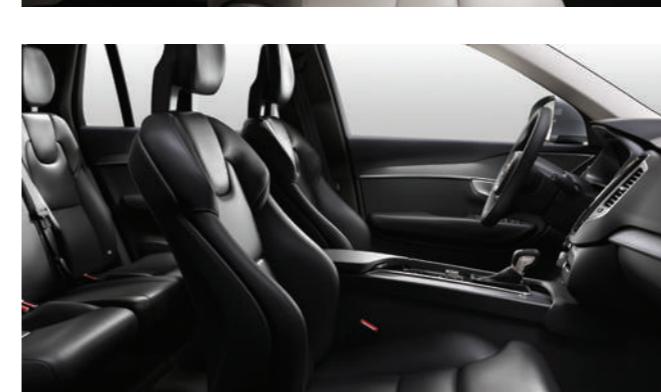
has a dramatic impact on the personality of your XC90. Available in different variations, each colour imbues your SUV with a sense of luxury and presence.



Comfort Seat



Contour Seat



## MOMENTUM

The interior of the Volvo XC90 Momentum is created with you at the centre of attention. Every detail, every line, every shape is testimony to our designers' pursuit to create a space in which you feel relaxed and in complete control. The Momentum trim level features Comfort Seats upholstered in Charcoal Leatherette. For an even higher level of aesthetics and comfort, you can upgrade to optional

Leather available in several different interior colour combinations to suit your personal preferences. Designed with you in mind, the optional contour seats with 22-way adjustable functionality. The interior ambience is further enhanced by decor inlays in brushed aluminum and aluminum tread plates.

**UPHOLSTERIES** 1. Amber in Charcoal Interior, RA20 2. Amber in Charcoal Interior, RB21 3. Blond in Blond/Charcoal Interior, UA00 4. Blond in Blond/Charcoal Interior, UB01 5. Charcoal in Charcoal Interior, RA00 6. Charcoal in Charcoal Interior, RB01 7. Charcoal Leatherette in Charcoal Interior, RD00 8. Cross Brushed Aluminum Inlays, 437 9. Dark Flame Birch Inlays, 458 (Optional)





1



2



3



4



5

## R-DESIGN

R-Design is Volvo in smart designer sports gear – it's all about a performance-inspired look and feel, both inside and out. It's a truly eye-catching expression with sporty exterior design cues, such as its own distinctive grille in High-Gloss black with Silk Metal frame, front spoiler, stylish Silk Metal window trim, Bright Silver matte finish door mirror caps, prominent dual tailpipes and striking 20" alloy wheels. Our signature headlights with LED illumination provide excellent vision and a distinctive attitude on the road. And for an even better vision in the dark, the Volvo XC90 R-Design comes standard with the Full-LED Active High Beam Illumination.

Inside, the illuminated R-Design tread plates in Silk Metal finish greet you onboard. The refined sporty theme with Metal Mesh decor inlays, Charcoal headlining and fully power-operated R-Design Contour Seats with a unique Nubuck/Nappa Leather upholstery. Together, these features give the cabin a technical, cockpit-like feel.

R-Design logotypes and distinctive stitching in the seats, the gear shifter and the steering wheel in perforated leather all reinforce the sporty yet elegant ambience. The power-operated front seat cushions further enhance thigh support for improved comfort during long drives. When it's dark outside, our most advanced interior illumination enhances the exclusive ambience inside your XC90 R-Design. Further adding to your sense of being in control, the R-Design also provides you with our largest 12.3" Digital Driver Display and gearshift paddles. Conveniently positioned in the tunnel console between the front seats, there is a drive mode control that allows you to shift between four driving characteristics – Comfort Mode, Dynamic Mode, Eco Mode and Individual Mode.

The XC90 R-Design is available with T6 and T8 eAWD Plug-In Hybrid powertrains.



6



7

1. The XC90 R-Design in exclusive Bursting Blue metallic with 20" Tech Matte Black Diamond Cut wheels. 2. R-Design door mirror caps in contrasting silver look. 3. The R-Design interior featuring Contour Seats with Nubuck/Nappa Leather upholstery, R-Design textile mats, R-Design steering wheel with gearshift paddles, 12.3" Digital Driver Display with four graphic modes, Carbon Fiber Inlays (Optional) and Bowers & Wilkins audio system (Optional). 4. R-Design is available in T6 and T8 powertrains. 5. Dual integrated tailpipes for a distinctive road presence. 6. The signature LED illumination together with the R-Design front grille and spoiler add to the dynamic character. 7. The 22" Tech Matte Black Diamond Cut Alloy Wheels with Performance Summer Tires for the ultimate R-Design experience.



**20" 5-Spoke**  
Tech Matte Grey Diamond Cut, 150  
(Standard)



**22" 5-Double Spoke**  
Tech Matte Black Diamond Cut, 175  
(Optional, Requires Performance Summer Tires)



**477**  
Electric Silver Metallic



**492**  
Savile Grey Metallic



**612**  
Passion Red



**614**  
Ice White



**707**  
Crystal White Metallic



**714**  
Osmium Grey Metallic



**717**  
Onyx Black Metallic



**720**  
Bursting Blue Metallic

## R-DESIGN

The exterior leaves no doubt about the intention of your Volvo XC90 R-Design. The exterior colours are carefully selected to match the car's dynamic character, each with its unique expression – especially Passion Red and Bursting Blue Metallic, exclusively created for R-Design. Passion Red is the iconic sporty colour, while Bursting

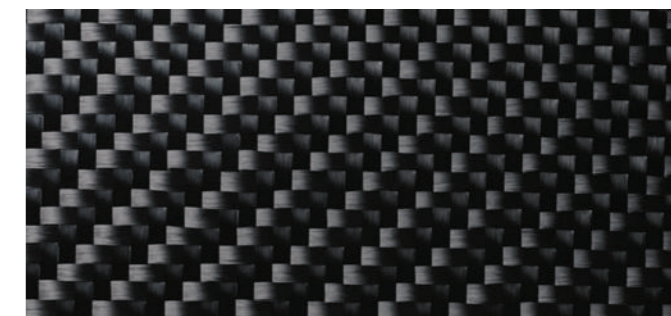
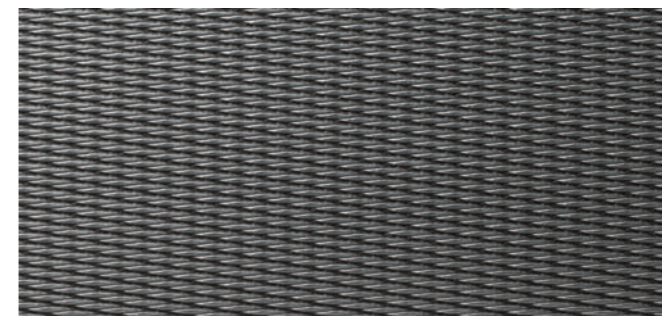
Blue Metallic adds a techy, sporty look that perfectly highlights the body inserts in high-gloss black and silk metal finish. The 5-Spoke R-Design 20" in Grey or 22" wheels in Tech Matte Black Diamond Cut give your XC90 R-Design a superior road presence that puts your SUV in a class of its own.



### R-DESIGN

Inside your Volvo XC90 R-Design, you can enjoy a dynamic and driver-focused interior crafted using high quality materials. The sculpted power-operated R-Design Contour Seats will provide relaxed support through any twists that the road has in store, while the exclusive Nubuck and Nappa Leather upholstery

with contrast stitching provides a sporty yet sophisticated feel with 22-way adjustable functionality. A sensation further enhanced by the decor inlays in Metal Mesh or Carbon Fiber that perfectly complement the Charcoal Interior.



**UPHOLSTERIES** Nubuck and Nappa Leather (Standard) **1.** Charcoal Nubuck & Nappa Leather in Charcoal Interior, RBOR **2.** Charcoal Leather Seat in Charcoal Interior, RCOR **3.** Metal Mesh Aluminum Inlays, 440 (Standard) **4.** Carbon Fiber Inlays, 480 (Optional) **5.** R-Design Leather Key Fob Available in Charcoal Perforated Leather



1

## INSCRIPTION

The highly sophisticated Volvo XC90 Inscription expresses the essence of contemporary luxury. Instantly recognizable thanks to its distinctive chrome-finish grille and lower door bright deco molding, this expression sets the XC90 apart thanks to a number of exterior design cues that exemplify the car's timeless Scandinavian design. The large 20" wheels harmonize perfectly with the metal finish of the bright deco body inlays and the integrated roof rails. Together with the elegant dual integrated tailpipes, the wheels also contribute to the car's confident stance. Our signature LED Illumination contributes to a strong visual identity and excellent vision in the dark. With an even better and uninterrupted beam pattern, our advanced Full-LED Active High Beam illumination technology also improves visibility.

Every time you open the door, Inscription tread plates provide an illuminated welcome. The luxurious theme continues with authentic, finely crafted materials that create a lounge-like atmosphere of sumptuous well-being. You and your passengers can lean back in sculpted power-operated Comfort Seats with Fine Nappa Leather Upholstery. Decor inlays in exclusive Linear Wood, Inscription floor mats and our most advanced ambience interior illumination add to

the exceptional Inscription experience. For you as driver, the large 12.3" Digital Driver Display and convenient drive mode settings in the console between the front seats add to your feeling of being in command. And to enhance your driving experience, our optional Active chassis with air suspension optimizes comfort and handling – you can select between five different chassis settings using the Drive Mode control.

For an even higher level of comfort, the standard four-zone climate control allows both the driver and the front seat passenger as well as the outer passengers in the second row to set their individual cabin temperature. And with the Panoramic Moonroof, everyone inside your XC90 will enjoy a superb experience of air and light – the front section can be opened at the push of a button and during sunny days a power-operated sunshade in perforated textile will reduce the heat and glare while maintaining the airy feel inside the cabin. Turning your XC90 into a concert hall, our optional high-end audio system Bowers & Wilkins brings exceptional clarity and realism to your music, wherever you're seated.

1. Distinguished exterior design cues enhance the luxurious look and feel of the XC90, while the meticulously crafted interior gives you ample room for a relaxed driving experience. 2. Dual integrated tailpipes and bright deco trim add to an elegant and powerful impression. 3. Meticulously crafted 21" Inscription Alloy Wheels (Optional). 4. The intuitive 12.3" Digital Driver Display with four graphic modes. 5. Drive mode scroll wheel in diamond-patterned metal finish and the Linear Walnut Wood Inlays. 6. The lower door bright deco molding with Inscription logotype. 7. The exclusive Inscription Leather key fob.



2



3



4



5



6



7



**20"** 10-Spoke  
Tinted Silver Diamond Cut, 173  
(Standard)



**21"** 8-Spoke  
Silver Bright Diamond Cut, 174  
(Optional)



**21"** 10-Spoke  
Black Diamond Cut, 1014  
(Optional)



**492**  
Savile Grey Metallic



**614**  
Ice White



**707**  
Crystal White Metallic



**711**  
Bright Silver Metallic



**714**  
Osmium Grey Metallic



**717**  
Onyx Black Metallic



**719**  
Luminous Sand Metallic



**723**  
Denim Blue Metallic



**724**  
Pine Grey Metallic

## INSCRIPTION

The Volvo XC90 Inscription exterior with its subtle touches is a timeless expression of classical Scandinavian design. The exterior colour palette allows you to create the XC90 Inscription that best

reflects your style and preferences. Available in distinctive diamond cut design, the 20" or 21" wheels connect visually with exterior design cues to create a harmonious impression of contemporary elegance.

Comfort Seat



### INSCRIPTION

The interior of the Volvo XC90 Inscription is a luxurious environment imbued with a myriad of thoughtful design elements. There are genuine materials and fine craftsmanship wherever you look – a sensory experience further enhanced by ergonomically designed Comfort Seats in Fine Nappa Leather. To further enhance your

enjoyment of every ride, the Comfort Seats come standard with ventilation. And to make it easy to give the interior your own signature, you have an extensive range of interior colour, upholstery and decor inlay combinations to choose from.



1

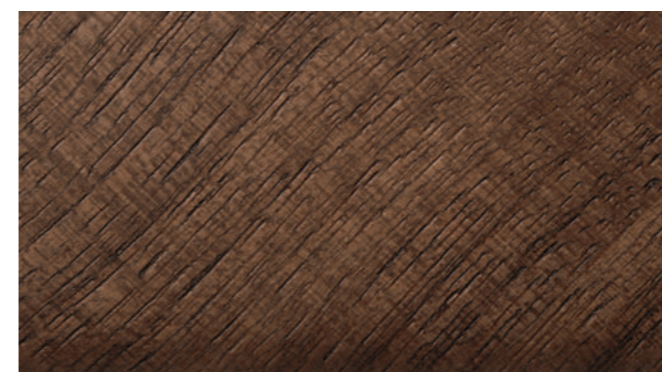


2



3

4



5

6

**UPHOLSTERIES** Fine Nappa Leather, Comfort Seat (Standard) 1. Blond in Blond/Charcoal Interior, UC00 2. Charcoal in Charcoal Interior, RC00 3. Maroon Brown in Charcoal Interior, RC30 4. Amber in Charcoal Interior, RC20 5. Linear Walnut Wood Inlays, 315 (Standard) 6. Dark Flame Birch Inlay, 458 (Optional)

## FOR ALL OF LIFE'S JOURNEYS

Designed around you, Volvo Genuine Accessories are built to further enhance your every experience with the Volvo XC90. Pack and load accessories, such as the Volvo towbar, are designed to work harmoniously and integrate seamlessly with your Volvo.

Constructed to be the optimal towing solution, Volvo towbars are rigorously tested to exceed Volvo's design standards and makes room for towbar mounted accessories. And when you run out of space in the load compartment, the Roof box, designed by Volvo Cars, adds 350 L of carrying capacity to your vehicle. With an aerodynamic design and beautiful styling, this roof box is an obvious choice for the discerning driver.

Inside the vehicle, protect the load compartment while keeping your passengers safe. An illuminated tailgate scuff plate covers the

load sill and enhances the interior's luxurious impression, while a steel grille provides a sturdy barrier between the load and passenger compartments. A load compartment divider splits the space in two so you can carry two pets. Add a dog gate to create a secure compartment and a load liner to protect the trunk floor.

To provide your passengers with an even more pleasurable ride, window sunshades give maximum protection when the sun is bright and irritating. For passengers travelling in the rear, Volvo's media accessories will provide endless entertainment.

The Red Key is the ideal accessory for owners with young drivers. It allows you to restrict speed and radio volume to ensure the car is driven responsibly.



1



2



3

4



5

6

7



8

9

10

1. Volvo towbar. 2. Load compartment mat, plastic.

3. iPad® holder, rear seat. 4. 7" Media Player (DVD). 5. Sunshades. 6. Red Key Fob, key for car owners who want the car to be driven responsibly. 7. Longitudinal divider and dog gate. 8. Roof box, designed by Volvo Cars. 9. Complete wheel, 22" 6-Double Spoke Tech Black matte Alloy Wheel - C00. 10. Luggage Compartment Mat, Molded Plastic.



## WINTER WHEEL KITS BY VOLVO

### Why use winter tires?

All of the grip your tires provide can be summed up by looking at the palm of your hand. That is the size of the contact surface your car uses to accelerate, stop and steer. Driving in the winter requires a tire that can maximize this area on snow and ice, and which can also remain flexible enough in cold temperatures to conform to the varying shape of the pavement.

'All-season' and 'summer' tires are generally wider than winter tires, and they tend to have fewer grooves in the tread. This helps them maintain the most rubber contact with summer roads. During the winter months, ice, snow and slush create a barrier between the tire and the pavement compromising most of the grip. They also must operate above certain temperatures to maintain the elasticity needed to grip the road. These different conditions of operation mean that tires suited specifically for the winter are critical for safe driving.

However, you should not simply install just any winter tire on your vehicle. Volvo evaluates winter tires for their performance on snow and ice, their high-speed stability during evasive maneuvers, and the noise and harshness they create in the cabin.

### Why Volvo winter wheel kits?

The engineers at Volvo must balance style and sophistication with high-quality and optimum driving characteristics. Volvo winter wheel kits are designed, tested and manufactured to Volvo's comprehensive standards in order to optimally interact with your car, maximizing the safety and performance of the vehicle in a uniquely Volvo way.

Volvo engineers have developed leading edge autonomous safety features which we call IntelliSafe. By monitoring the road ahead, IntelliSafe can apply the brakes and steer the car to avoid a collision. Tire grip is key to ensure these systems can intervene effectively. A Volvo winter wheel kit provides these systems with the best possible advantage to ensure you and your passengers are always safe no matter the weather outside.



19" 6-Spoke  
Turbine Silver Wheels, 177



20" 10-Spoke  
Silver Diamond Cut Wheels, 173



polestar

## POLESTAR SOFTWARE OPTIMIZATIONS

For those who want more power and enhanced driveability, our partners at Polestar have developed a software optimization that enhances engine output, transmission performance and overall driveability. This enhancement isn't just for drivers that want more power. Drivers who tow or frequently have to merge onto highways will appreciate the added power and enhancement to driving dynamics that this accessory provides. This software upgrade is available through your local Retailer, and can be quickly installed. We also feature a 30-day money back guarantee to ensure you are happy with the difference that Polestar optimization software makes!

To provide the best driving experience, Polestar performance optimization software focuses on 5 key areas:

**Throttle Response**

Throttle response has been recalibrated to provide improved feedback and accelerator reaction – ideal for overtaking or during active driving on a twisting road.

**Off Throttle Response**

The engine and gearbox have been calibrated to provide faster responses when the driver suddenly releases the throttle, providing improved predictability and control.

**Gearshift Speed**

Gearshift speed has been increased, allowing the car to accelerate faster and react more directly to driver input.

**Gearshift Precision and Gear Hold**

The transmission has been optimized to provide a more precise driving experience with faster acceleration. Gearshift points have been calibrated to utilize the optimized mid-range engine performance, while the gear hold function maintains the same gear when cornering with high lateral g-force.

**Engine Performance**

All Drive-E optimizations are made to provide greater performance in the engine's mid-range powerband – perfect for the sporty driver when overtaking, joining a highway or exiting a corner.



## SENSUS

### SENSUS OPTIONS

Sensus Connect comes with a host of features as standard: there is voice control, our High Performance audio system, an eye-catching 9" Sensus Touchscreen and our 8" Digital Driver Display. If you'd like to enhance your experience, there's a wealth of options. For example, you can access selected apps and functions in your smartphone via the centre display using Smartphone Integration.

Then, there is Sensus Navigation and the head-up display: together, they make navigating easy and intuitive. And Volvo On Call not only includes a WiFi hotspot and a SIM-card slot, so you can go online via the car's roof aerial – it also lets you interact with your car using a smartphone app, while giving you direct access to emergency support.

### SENSUS CONNECT WITH HIGH PERFORMANCE AUDIO SYSTEM

Includes the following standard features:

- 8" Digital Driver Display (T5 and T6), 12.3" Digital Driver Display (T8)
- 9" Sensus Touchscreen
- Bluetooth® audio streaming
- SiriusXM™ Satellite Radio with 6 month trial
- Smartphone Integration\* with an additional USB input (Apple CarPlay™ for iPhone® 5 or later, or Android Auto™ for Android smartphone 5.0 Lollipop or later)
- USB inputs
- Voice control
- Steering wheel controls
- Tethering via WiFi or Bluetooth®
- High Performance audio system (224W, 10 speakers)
- Volvo On Call with Engine Remote Start 4-Year Complimentary Subscription

### SENSUS CONNECT OPTIONS

In addition, the following options are available:

- 12.3" Digital Driver Display
- Head-up Display

### BOWERS & WILKINS

Our top-of-the-line audio system, developed exclusively for your XC90 together with the renowned high-end audio manufacturer Bowers & Wilkins:

- 12-channel 1100 W Class D amplifier
- 15 Bowers & Wilkins speakers, including a subwoofer
- Quantum Logic Surround sound system
- Dirac Dimensions room transformation technology with three room modes: Concert, Studio and Stage
- Dirac Live sound enhancement technology
- Stainless steel tweeter panels

## INTELLISAFE

### INTELLISAFE OPTIONS

Your Volvo XC90 comes with comprehensive IntelliSafe technologies as standard, including all the safety you'd expect from a Volvo and more. You'll also get City Safety, which encompasses technologies designed to help avoid collisions with other vehicles, pedestrians, cyclists and large animals. City Safety can also autobrake if you're about to turn into the path of an oncoming car in an intersection, while Oncoming Lane Mitigation helps you avoid collisions with

oncoming vehicles by providing automatic steering assistance. Available Pilot Assist supports your driving with semi-autonomous driving technologies such as Adaptive Cruise Control and Pilot Assist. Add IntelliSafe Surround, and you'll get the benefit of technology that alerts you to vehicles approaching in your blind spot or from behind and can provide additional steer assist if needed, for your safety and confidence.

### INTELLISAFE STANDARD

Includes:

- Rear Collision Warning with braking at standstill
- Driver Alert Control
- Lane Keeping Aid
- Automatic braking after a collision
- City Safety™ (Vehicle detection, Pedestrian and cyclist detection, Autobrake at intersection, Large animal detection)
- Safety cage
- Seat belts with reminders and pretensioners for all seats
- Front, Side & Curtain Airbags; Driver Side Knee Airbag
- Brake pedal release
- WHIPS™ – Whiplash Injury Protection System
- Run-off Road Mitigation
- Run-off Road Protection
- SIPS™ – Side Impact Protection System
- Oncoming Lane Mitigation
- Emergency Crash Notification
- Electronic Stability Control
- Park Assist Rear

### INTELLISAFE OPTIONS

- Pilot Assist – Semi-Autonomous Drive System with Adaptive Cruise Control Electronic Stability Control
- Blind Spot Information System (BLIS) with Steer Assist & Cross Traffic Alert
- 360° Surround View Camera
- Park Assist Pilot
- Front and Rear Park Assist

\* For more information please see: [www.apple.com/ios/carplay/](http://www.apple.com/ios/carplay/) or [www.android.com/auto/](http://www.android.com/auto/)

\* Apple CarPlay and CarPlay are trademarks of Apple Inc. Android Auto is a trademark of Google Inc.

# XC90 STANDARD FEATURES

STANDARD FEATURES	T5 AWD	T6 AWD	T8 eAWD Plug-In Hybrid
<b>Value</b>			
New Car Warranty - Four years / 80,000 kilometres	●	●	●
Standard Hybrid Battery Warranty - Eight Years / 160,000 kilometres			●
<b>Safety</b>			
Volvo On Call includes: Convenience features – Remote Lock/Unlock, Engine Remote Start, Send to Car, Vehicle Tracking with 4-year Complimentary Subscription	●	●	●
Run-off Road Protection and Run-off Road Mitigation	●	●	●
Lane Keeping Aid	●	●	●
Driver Alert Control	●	●	●
Road Sign Information	●	●	●
Automatic Braking After Collision	●	●	●
City Safety with Steering Support: Low and High Speed Collision Mitigation, Pedestrian, Cyclist and Large Animal Detection	●	●	●
Front, Side & Curtain Airbags with Driver Side Knee Airbag	●	●	●
Whiplash Protection, Front Seats	●	●	●
Roll Stability Control	●	●	●
<b>Exterior</b>			
Laminated Panoramic Moonroof with Power Sunshade	●	●	●
LED Headlights with Thor's Hammer DRL & Auto Highbeam (AHB)	●	●	●
LED Fog Lamps with Corner Illumination	●	●	●
LED Taillights with Side Marker Lights	●	●	●
18" 5-Spoke Sparkling Silver Alloy Wheels	●		
19" 10-Spoke Turbine Silver Bright Alloy Wheels		●	
19" 6-Spoke Turbine Silver Bright Alloy Wheels			●
Aluminum Roof Rails	●	●	●
Rain Sensing Windshield Wipers	●	●	●
Dark Tinted Windows, Rear & Cargo	●	●	●
Front Grill, High-Gloss Black with Bright Chrome Frame	●	●	●
Bright Chrome Window Surround	●	●	●
Dual Integrated Tailpipes	●	●	●

STANDARD FEATURES	T5 AWD	T6 AWD	T8 eAWD Plug-In Hybrid
<b>Interior</b>			
Leatherette Upholstery with Comfort Seats	●		
Leather Upholstery with Comfort Seats	○	●	●
10-way, Power Front Seats incl. Power Lumbar and Driver Seat Memory	●	●	●
Heated Front Seats	●	●	●
3rd Row Seating	●	●	●
Sensus Navigation	●	●	●
Volvo Sensus Connect with 9" Touchscreen	●	●	●
8" Driver Display (Digital Instrument Cluster)	●	●	
12.3" Driver Display (Digital Instrument Cluster)	○	○	●
High Performance Audio with 10 speakers, 224W, 2 USB, & AUX input	●	●	●
SiriusXM™ Satellite Radio with 6-Month Subscription	●	●	●
Smartphone Integration (Apple CarPlay & Android Auto)	●	●	●
Voice Control	●	●	●
Leather Steering Wheel	●	●	●
Cross-Brushed Aluminum Inlays	●	●	●
Crystal Gear Shift Knob by Orrefors®			●
Volvo Aluminum Sill Plates	●	●	●
Auto Dimming Interior Mirror	●	●	●
Clean Zone Air Quality System	●	●	●
4-Zone Climate Control	●	●	●
<b>Luxury &amp; Convenience</b>			
Keyless Entry & Drive	●	●	●
Adjustable Drive-Mode Settings	●	●	●
Bluetooth Connectivity with Audio Streaming	●	●	●
Rear Park Assist & Rear Park Assist Camera	●	●	●
Hands-Free, Power-Operated Tailgate	●	●	●
Hill Start Assist	●	●	●
Split Folding Backrest with Load Through Hatch	●	●	●
Power-Folding Rear Head Restraints (outer positions)	●	●	●
Tempa Spare Wheel (including jack kit)	●	●	
Tire Repair Kit			●
Aluminum Cargo Opening Scuff Plate	●	●	●

# XC90 SINGLE OPTIONS

SINGLE OPTIONS	T5 AWD	T6 AWD	T8 Twin Engine
Metallic Paint	○	○	○
Leather Upholstery	○		
Contour Seats (Momentum)			○
Integrated 2 Step Booster Cushions, 2nd Row	○	○	○
Graphical Head-Up Display (HUD)	○	○	○
Charcoal Headliner	○	○	○
Dark Flame Birch Wood Inlays (Momentum and Inscription Only)	○	○	○
Carbon Fibre Inlays (R-Design Only)		○	○
Bowers & Wilkins Premium Sound	○	○	○
4-Corner Air Suspension in Rear with FOUR-C Active Chassis (requires Momentum Elite or Convenience Package)		○	○
Tailored Dashboard and Upper Door Panels (R-Design and Inscription Only)		○	○
19" 10-Spoke Turbine Alloy Wheels	○		
20" 5-Double Spoke Tech Matte Black Diamond Cut Alloy Wheels (Momentum Only)	○	○	
21" 10-Spoke Black Diamond Cut Alloy Wheels (Momentum and Inscription Only)		○	○
21" 8-Spoke Silver Bright Diamond Cut Alloy Wheels (Inscription Only)		○	○
22" 5-Double Spoke Tech Matte Black Diamond Cut Alloy Wheels (R-Design Only, Performance Summer Tires)		○	○

● = Standard ○ = Optional Blank = Not available



The Bluetooth word mark and logos are owned by the Bluetooth SIG, Inc. and any use of such marks by Volvo Car Corporation is under license. Other trademarks and trade names are those of their respective owners.

# XC90 OPTIONAL PACKAGES

<p><b>MOMENTUM PLUS PACKAGE</b> (T5 and T6 Only)</p> <ul style="list-style-type: none"> <li>20" 5-Double Spoke Matte Tech Black Diamond Cut Alloy Wheel</li> <li>Interior High Level Illumination</li> <li>12.3" Driver Display (Digital Instrument Cluster)</li> </ul>
---

<p><b>VISION PACKAGE</b></p> <ul style="list-style-type: none"> <li>Blind Spot Information System &amp; Cross Traffic Alert</li> <li>360° Surround View Camera</li> <li>Automatically Dimmed Inner &amp; Exterior Mirrors</li> <li>Retractable Rear-view Mirrors</li> </ul>
---

<p><b>CLIMATE PACKAGE</b></p> <ul style="list-style-type: none"> <li>Heated Rear Seats</li> <li>Heated Steering Wheel</li> <li>Heated Washer Nozzles</li> </ul>
---

<p><b>CONVENIENCE PACKAGE</b></p> <ul style="list-style-type: none"> <li>Park Assist Pilot &amp; Front Park Assist</li> <li>Pilot Assist - Semi Autonomous Drive System w/ Adaptive Cruise Control</li> <li>Compass (Interior Rearview Mirror)</li> <li>HomeLink™ Integrated Garage Door Opener</li> <li>Grocery Bag Holder</li> <li>12V Power Outlet in Cargo Area</li> </ul>
--

<p><b>LEATHER PACKAGE</b> (R-Design Only)</p> <ul style="list-style-type: none"> <li>Tailored Dashboard &amp; Upper Door Panels</li> <li>Nappa Leather Sport Seats</li> <li>Rear Sunblinds</li> </ul>
---

<p><b>MOMENTUM ELITE PACKAGE</b> (T8 Only)</p> <ul style="list-style-type: none"> <li>Heated Rear Seats</li> <li>Heated Steering Wheel</li> <li>Heated Washer Nozzles</li> <li>Graphical Head-up Display (HUD)</li> <li>12.3" Driver Display (Digital Instrument Cluster)</li> <li>Interior High Level Illumination</li> <li>Sport Steering Wheel</li> <li>21" 10-Spoke Black Diamond Cut Alloy Wheel</li> <li>Park Assist Pilot + Park Assist Front &amp; Rear</li> <li>Pilot Assist - Semi Autonomous Drive System w/ Adaptive Cruise Control</li> <li>HomeLink™ Integrated Garage Door Opener</li> <li>Compass in inner rear view mirror</li> <li>Grocery bag holder</li> <li>12V power outlet in cargo area</li> <li>Automatically Dimmed Inner &amp; Exterior Mirrors</li> <li>Retractable Rear-view Mirrors</li> <li>Blind Spot Information System &amp; Cross Traffic Alert</li> <li>360° Surround View Camera</li> <li>Sport Seats in Nappa Leather</li> </ul>
--

## VOLVO EUROPEAN DELIVERY

### THE EXPERIENCE BEGINS IN SWEDEN

**Volvo European Delivery** is a unique program that gives you an exciting opportunity to pick up your new Volvo from our state-of-the-art factory in Gothenburg, Sweden. But that's just the beginning.

#### THE TRIP INCLUDES:

- A savings off of the Canadian base MSRP, which varies by Model
- Opportunity to personalize your new Volvo\*
- Complete travel packages for Sweden and/or Europe via our travel concierge, who can help you personalize your adventure
- Two round-trip plane tickets to Gothenburg, Sweden via SAS / Plus economy seating (including private transport upon arrival)
- One overnight stay at a hotel including dinner at a local restaurant
- Premium delivery at Factory Delivery Centre (including private transport and lunch)
- Guided tour of the Volvo factory
- A visit to the Volvo Museum and/or the Volvo Cars Brand Experience Centre
- European car insurance (including Volvo Roadside Assistance and Global warranty coverage) for two weeks\*\*
- Home shipment of your new Volvo



**T8 Twin Engine AWD | Inscription**  
707 Crystal White Pearl | 21" 8-Spoke Silver  
Diamond Cut Alloy Wheels - 174



**Inscription**  
Nappa Leather Blond in Blond/Charcoal Interior (UC00)

Your adventure begins in Volvo's hometown of Gothenburg, located on Sweden's scenic west coast. Here, you will pick up your new Volvo in person as it rolls out of the factory gate. You will then have the chance to explore the world of Volvo, where you will learn all about the unique culture that inspired the elements of your car.

**Please note:** Changes in the order of your day's schedule may occur.

If you would like to know more about Volvo European Delivery, contact your local Volvo Cars Retailer, the Customer Care Centre at 1-800-663-8255.

With Volvo European Delivery, you can custom build and personalize\* your new Volvo before taking a once-in-a-lifetime trip to pick it up in the country that built and inspired it. Volvo European Delivery delivers a car that is truly designed around you.

\* Personalization is based on market requirements and specifications. All options / packages and accessories must be Canadian Market-specific.  
\*\* Global Warranty coverage remains in effect until your vehicle returns to Canada and is registered with Volvo Car Canada.

**T8 Twin Engine AWD | R-Design**  
720 Bursting Blue Metallic | 22" 5-Double Spoke Matte Black  
Diamond Cut Alloy Wheels - 175 | Panoramic roof



## Service by Volvo

Taking care of you and your Volvo is our top priority. With a unique approach to service that is personal, professional and efficient, we get you everything you need in the simplest way possible. To make your life less complicated.

Knowing your vehicle is always up to our highest standards for as long as you own it – that's the driving force behind Service by Volvo. To help you get the most out of your Volvo, we'll ensure each service or maintenance provides peak conditioning through our expertly trained technicians, field-tested repair methods, and precision-engineered genuine parts. That's because we focus on our promises to service your car and simplify your life.

### OUR SERVICE BY VOLVO PROMISES

When you have your car serviced at an authorized Volvo dealer, we promise to provide you with a premium ownership experience for the life of your vehicle. Enjoy our Lifetime Parts and Labour Warranty,\* so you pay only once, knowing your car is always up to our highest standards. Receive free technical software updates\*\* and more. No sign-up required.



Lifetime Parts & Labour Warranty\*



Free Software Updates\*\*



Complimentary Car Wash



Alternative Transportation

\* Excludes consumable parts due to normal wear. See dealer for details. Non-transferable.

\*\* New software required as part of a repair or accessory installation is not included.

# The most carefree way to own a car. Ever.

## LEASING OPTIONS\*

### FLEXIBLE TERMS

Leasing is available for terms as short as 24 months or up to 48 months. You can drive a new Volvo car every few years while within the manufacturer warranty and maintenance plans and without the burden of negotiating trade-in values.

### CHOICE OF MILEAGE PLANS

The standard mileage option allows up to 24,000 kilometres per year, however, several other mileage plans are available to tailor to your commuting needs. Under the low mileage plan, options are available as low as 12,000 kilometres per year and we also offer plans for drivers who will exceed 24,000 kilometres per year.

### MULTIPLE SECURITY DEPOSIT LEASE

A multiple security deposit lease allows you to place a lump sum refundable security deposit at lease inception, which reduces your monthly lease charge resulting in substantial savings over the term of the lease. The additional security deposits are refunded to you at the end of the lease term.

### GUARANTEED AUTO PROTECTION (GAP) WAIVER

Our GAP Waiver is included in your lease agreement at no additional cost to you. It is provided to give you peace of mind. If your leased Volvo car is declared a total loss due to theft, accident, or natural disaster, we will cover the difference between the insurance proceeds and the balance owed to Volvo Car Financial Services less any deductible.

### EXCESS WEAR AND TEAR ADVANTAGE

As a part of everyday driving, normal wear and use can be expected. However, when turning in your leased vehicle, you may be responsible for any excess wear and use damage, therefore, Volvo Car Financial Services offers an optional plan to protect you and your car from unexpected occurrences that happen from nature and chance.

### FINANCE OPTIONS\*

Volvo Car Financial Services (VCFS) offers affordable and competitive financing on new and Volvo Certified Pre-Owned cars. Our low rates and flexible terms can get you behind the wheel of the Volvo you want to drive with finance terms up to 72 months.

\* On approved credit, please contact your local Volvo car retailer for detailed information on Financial Services Options.

## SPECIAL PROGRAMS

### VOLVO MOBILITY PROGRAM

The goal of the Volvo Mobility Program is to assist persons with physical disabilities or hearing impairment. For those with exceptional transportation needs, this can be facilitated within the extraordinary comfort and safety of a specially adapted Volvo car. For additional information on this program, please contact **Mobility by Volvo Customer Care** at **1-800-663-8255**.

### VOLVO EUROPEAN DELIVERY PROGRAM

The Volvo European Delivery Program offers a unique way to buy your new custom-built car as well as a unique way to see more of Europe. When you're done traveling, bring the pleasure of driving a Volvo car back home. Purchase any new Volvo car as part of the Volvo European Delivery Program and enjoy all this, and more:

- Attractive pricing on Canadian models.
- Access to colours and certain features normally only available in Europe.
- 15 days of international insurance and temporary European registration included.
- Two complimentary round-trip tickets to Scandinavia (a peak season surcharge may apply).
- One free hotel night in Gothenburg, Sweden, the home of Volvo Cars.
- An exciting Volvo Cars factory tour or a visit to the new Volvo Brand Experience Center.
- An exclusive VIP delivery experience at the Volvo Cars Factory Delivery Centre.
- The opportunity to explore Europe in the comfort and safety of your own Volvo car, either with one of our spectacular tours or on your own.
- Complimentary home shipment services. Just leave your car with us. We'll ship it to you the convenient way while you relax and enjoy your complimentary flight back home.

Can you think of a better way of traveling overseas and making your souvenir part of an unforgettable experience? If you would like to know more, contact your local Volvo car retailer, our Customer Care Centre 1-800-663-8255, or visit [www.volvocars.ca](http://www.volvocars.ca)

## SERVICE AND WARRANTY

### VOLVO ROADSIDE ASSISTANCE

Whenever you need us, we're just a phone call away. Our nationwide network of retailers and authorized service providers are ready to assist. Whether you require roadside assistance or maps and routing information for your next trip, refer to your Volvo Roadside Assistance card and dial **1-800-263-0475** at any time. Your complimentary four-year membership activates the moment you become a Volvo owner. A connection to Volvo Roadside Assistance can also be made through our free Volvo On Call app. Download it for iPhone or Android by typing Volvo On Call through your app store.

### VOLVO NEW CAR WARRANTY

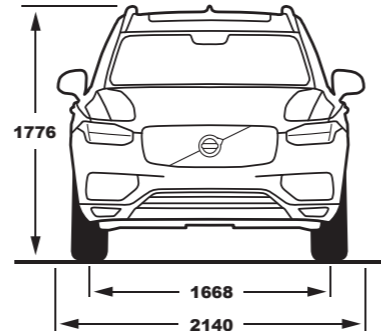
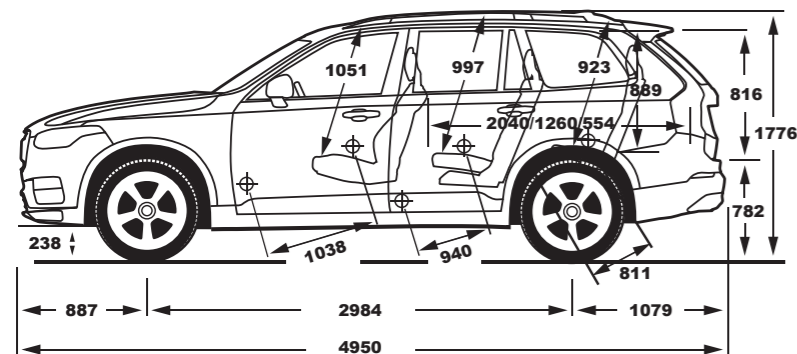
Your new-car warranty provides comprehensive coverage for four years or 80,000 kilometres, whichever occurs first. Additional warranties cover corrosion, seat belts, the supplemental restraint system, hybrid components emission systems, genuine Volvo car replacement parts and genuine Volvo accessories. Should you encounter any problem with your Volvo car, simply contact the nearest retailer for assistance. Where your warranty ends, Volvo Increased Protection (VIP) plans begin.

To purchase the additional protection of a VIP plan, contact your local retailer.

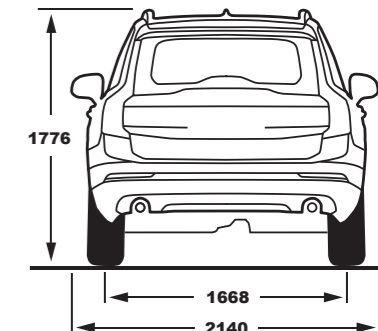
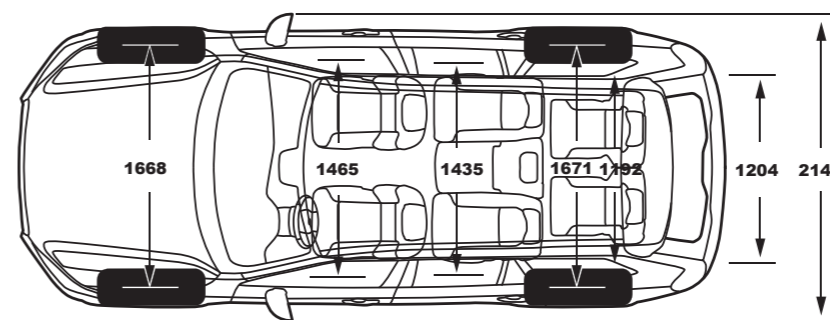
### SERVICE BY VOLVO

Our promise to you each time you service your car

- Lifetime warranty
- Complimentary software updates
- Alternative transportation
- Complimentary car wash



Measurements are in millimetres (mm)



Measurements are in millimetres (mm)

Vehicle Specification:

T5 AWD

Engine:	2.0L Inline 4-cylinder, Turbocharged
Horsepower at rpm:	250 hp @ 5,500 rpm
Acceleration 0-100 km/h:	7.9 sec
Top Speed:	210 km/h
Max Torque lb-ft at rpm:	258 lb-ft @ 1,500-4,800 rpm
Transmission:	8 - Speed Automatic Geartronic
Fuel Economy (L/100 km) (City / Highway / Combined):	10.9 / 8.3 / 9.7
Fuel Tank Capacity:	71 L
Cargo Space, Max:	2427 L
Towing Capacity:	2250 kg
Exterior Length/Width/Height (mm):	4950 / 2140 / 1776
Interior Headroom (Front/Rear/Third Row) (mm):	987 / 979 / 923
Interior Legroom (Front/Rear/Third Row) (mm):	1038 / 940 / 811
Seating Capacity:	7

Vehicle Specification:

T6 AWD

T8 eAWD Plug-In Hybrid

Engine:	2.0L Inline 4-cylinder, Supercharged & Turbocharged	2.0L Inline 4-cylinder, Supercharged & Turbocharged with Electric Motor
Horsepower at rpm:	316 hp @ 5,700 rpm	400 hp (313+87) Combined @ 6,000 rpm Combined
Acceleration 0-100 km/h:	6.5 sec	5.6 sec
Top Speed:	210 km/h	210 km/h
Max Torque lb-ft at rpm:	295 lb-ft @ 2,200 - 5,400 rpm	472 lb-ft
Transmission:	8 - Speed Automatic Geartronic	8 - Speed Automatic Geartronic
Fuel Economy (L/100 km) (City / Highway / Combined):	11.5 / 8.8 / 10.3	9.6 / 8.6 / 9.2
Electric Only Range:		27 km
Fuel Tank Capacity:	71 L	50 L
Cargo Space, Max:	2427 L	2427 L
Towing Capacity:	2250 kg	2250 kg
Exterior Length/Width/Height (mm):	4950 / 2140 / 1776	4950 / 2140 / 1776
Interior Headroom (Front/Rear/Third Row) (mm):	987 / 979 / 923	987 / 979 / 923
Interior Legroom (Front/Rear/Third Row) (mm):	1038 / 940 / 811	1038 / 940 / 811
Seating Capacity:	7	7
Lithium-Ion Battery Capacity:		10.4 kWh

**V O L V O**

**MODEL YEAR 2018 | VOLVOCARS.CA**

Specifications, features, and equipment shown in this catalog are based upon the latest information available at the time of publication. Volvo Car Canada Ltd. reserves the right to make changes at any time, without notice, to colours, specifications, accessories, materials, and models. Some vehicle images are not shown to Canadian specification and may show European model features that may not be available in Canada. For additional information, please contact your authorized Volvo Cars retailer. © 2017 Volvo Car Canada Ltd. Printed in Canada.

**MY18**

Product Code **7778084**