



THE ALL-NEW
VOLVO XC60
MY2018



INNOVATION FOR PEOPLE

At Volvo Cars, we continuously innovate in order to make your life better. Every car, every technology and every design is the result of a clear vision – to put people at the heart of everything we do. It's a vision that has driven us from the start and has inspired us to create the likes of the three-point seat belt and side-impact airbags – inventions that have saved lives and changed automotive history. With our new generation of cars, we continue this tradition. Scandinavian design combines with modern Swedish luxury to enrich your experience. Intuitive Sensus technology makes life less complicated and keeps you connected with the world, while the latest Drive-E powertrains balance responsive power with class-leading efficiency. And supporting you while driving, our IntelliSafe innovations make your journey more comfortable and enjoyable while helping to prevent accidents.

We understand what's important to people. It forms the basis of all the innovations we create. Innovations that improve lives.

At Volvo Cars, we design our cars around you.

Contents

Exterior Design.....	4	Drive-E.....	32	Inscription.....	58
Dynamic Handling.....	8	Chassis.....	38	Accessories.....	66
Interior Design.....	10	Powertrains.....	40	Option Packages.....	76
Versatility.....	14	Trim Levels.....	42	The Volvo Experience.....	80
Sensus.....	16	Momentum.....	44	Facts and Figures.....	84
IntelliSafe.....	24	R-Design.....	50		





In Sweden, we build SUVs differently. We start with the concept of designing around you – a car that must look beautiful, engages the driver and makes itself useful. We create an exterior that mixes muscular dynamism with clean, elegant design. We find the perfect balance between comfort and control, and use it to build the chassis. And we craft an interior from the finest materials, making sure it's full of natural light and with an abundance of clever touches to make every day easier.

This is the result. The Volvo XC60, the first of a new generation of the 60 series. A car that introduces a dynamic new form of luxury and adds momentum to your drive to match the momentum of your life.

This is the SUV, evolved.

"One glance tells you this is a car that's ready for whatever activity or adventure awaits."

THE SCANDINAVIAN ATHLETE

Refined strength and style.

With its dynamic, perfectly crafted, elegant exterior, the Volvo XC60 is an SUV that makes a strong visual statement.

Beautifully crafted details let you know that this is a Volvo. With its sharp creases and curves, the sculpted hood creates an impression of strength and refinement. Large wheels and pronounced wheel arches express the car's athleticism and capability. One glance tells you this is a car that's ready for whatever activity or adventure that awaits.

LED headlights with distinctive Thor's Hammer T-shaped daytime running lights create an unmistakable impression, day or night, while rear lights that flow into the tailgate are a Volvo design cue that emphasize the car's strength.

From every angle, the XC60 is the SUV with a unique Scandinavian attitude.



T6 AWD | Inscription
724 Pine Grey Metallic | 20" 8-Spoke
Black Diamond Cut Alloy Wheels, R11F

The Volvo XC60 possesses all the qualities of good design – understated yet confident, uncluttered and beautiful. It is an SUV that projects poise and power. In profile, the hood, rising side window line and sharply angled tailgate highlight its dynamic nature.

Up close, the sharp creases and sculpted side panels emphasize its muscular, contemporary character. Everywhere you look there is something to delight. The XC60 is a car that you will always be proud to own and look at.

T8 eAWD Plug-In Hybrid | R-Design
707 Crystal White Metallic | 21" 5-Double Open Spoke
Tech Matte Black Cut Alloy Wheels, R120



"That's why we crafted the XC60 to be a car that makes you feel inspired and confident when driving. One where you will always feel in control."



PLEASURE FOR YOUR SENSES

Crafted for an enjoyable drive.

The Volvo XC60 is built for action, because we think you should enjoy every drive in your car, no matter how short or long the journey. That's why we crafted the XC60 to be a car that makes you feel inspired and confident when driving. Where you always feel in control, and where technology is there to support you and make every interaction second nature.

With its strong, lightweight construction and sophisticated suspension components, the chassis of the XC60 allowed us to find just the right balance between comfort and control. To create a car that offers great driver feedback but leaves you feeling comfortable, even after a long journey.

Experience the rewards offered by the dynamic handling in a cabin that provides outstanding comfort and a calm, restful environment. With seats designed to perfectly complement the human form, a panoramic moonroof that opens up the space to the sky above, quiet powertrains, and first-class sound systems that let you appreciate your favourite music as the artist intended, the interior of the XC60 is a haven. This is the Volvo approach to driving enjoyment.

T6 AWD | Inscription
724 Pine Grey Metallic



T6 AWD | Inscription
Fine Perforated Nappa Leather in Blond/
Charcoal Interior WC00 | Driftwood inlays NCOC (European Spec Shown)

THE COMMAND CENTRE

Take your place behind the wheel.

When you sit in the driver's seat of the Volvo XC60, you're in control. In control of everything the car can do for you and in control of your journey, from driving position to the way you interact with the navigation system.

The experience starts with the driving environment. The dashboard and centre console wrap around, creating the feeling of a cockpit and putting you in command. Beautifully designed and finished controls make every interaction with the XC60 a pleasure.

We put as much thought into materials as we do into design. The tailored dashboard with contrast stitching and wood and metal inlays allow the materials to speak for themselves. You are surrounded by skilled craftsmanship, where everything works with accuracy and precision. In the XC60, it's effortless to be in command.

"Light floods in through the panoramic roof to make the cabin bright and airy."

The Standard Panoramic Moonroof extends the full length of the cabin, flooding the interior with natural light – so everyone gets the benefit.

YOUR SANCTUARY

When designing the interior of our cars, we apply the same principles you would when designing a living room. High-quality materials, intelligent use of space and attention to detail work together to create a warm, inviting environment. Everyone who travels in the Volvo XC60 gets the same standards of comfort, space, light and design.

Exceptional seating is at the heart of the experience. We build all our seats to give the same high standards of comfort and support, with plenty of adjustment space so each passenger can find a position that suits them.

The design of the interior is as important as the way it's built. Light floods in during the day and stars twinkle at night through the panoramic moonroof. It makes the cabin bright, airy and expansive. Reducing the number of buttons and switches creates a feel of uncluttered calm. The clever use of space, such as the storage compartments under the rear seats, is typical Scandinavian ingenuity. They're just the right size to store electronic devices, like a tablet, out of sight.

Unlock the car and the door handles light up to make getting into the XC60 quick and easy. At night, the cabin glows with the warmth of its interior lighting, welcoming you into the car. The optional lighting package includes ground illumination below open doors, so you can avoid stepping into puddles.

CleanZone technology means the air you breathe inside the car is clean and fresh regardless of the air quality outside the vehicle. It filters dust, pollen, particulates, and odours while monitoring the air quality and closing the intakes if pollutant levels rise too high. It happens automatically – all you need to do is set the temperature you want and the XC60 does the rest.



Rich materials and intricate detailing, like the Driftwood trim and yellow speaker cones, provide contrast and visual interest.



The combination of clear, easy-to-read instruments and the distinctive lines of the dashboard look great and work beautifully. They exemplify the meeting of form and function.



The way we've reduced the number of buttons has created a clean, uncluttered cabin reminiscent of the traditional, functional design of Swedish homes.

"The XC60 is versatile, a place which complements and integrates with your active life, with extra usefulness built in."

VERSATILITY'S NEW LOOK

Making every day easier.

The Volvo XC60 is more than great design and a rewarding drive. It's versatile and practical to complement your active life.

Even getting into the XC60 is easy – you can open the powered tailgate by waving your foot under the rear bumper. Inside, you'll find a large, evenly shaped load compartment that makes it easy to accommodate irregular sized objects. Fold the seats at the push of a button and you get a fully flat load floor – and you can do this from the rear of the car, for your convenience when loading items.

A loading hatch in the seats means you don't have to fold the seats to carry long objects, so you can still carry passengers. And to make your XC60 even more useful, add extra equipment options from our accessories range, which are designed to complement the car's interior.



T6 AWD | Inscription
724 Pine Grey Metallic | 20" 8-Spoke
Black Diamond Cut Alloy Wheels, R11F

T6 AWD | Inscription
724 Pine Grey Metallic

*"Sensus connects you with your
Volvo and the rest of the world."*



SENSUS

*Intuitive, intelligent technology to
always keep you connected.*

What is Sensus? Sensus is our approach to technology, one that has a guiding principle – to make your life easier and more enjoyable, whether it's your comfort, entertainment or navigation requirements. Sensus connects you with your Volvo XC60 and the rest of the world. It keeps you informed, entertained and in control of your journey.

Intuitive, easy-to-use controls are a prime feature and you will find them on the large, 9" Sensus Touchscreen. Replacing physical buttons with virtual equivalents on the screen allows them to be larger and easier to use. Bold, clear graphics make it easy to absorb information at a glance. Our philosophy has always been that you should be able to operate your Volvo while keeping your eyes on the road. The optional head-up display means you can do just that while staying connected and informed.

Sensus goes further, with in-car WiFi keeping your devices connected to the internet. Our audio systems get you closer to the performance and offer considerable flexibility when it comes to choosing your desired music source and tailoring its sound.

CONNECTING YOU WITH A WORLD OF ENTERTAINMENT

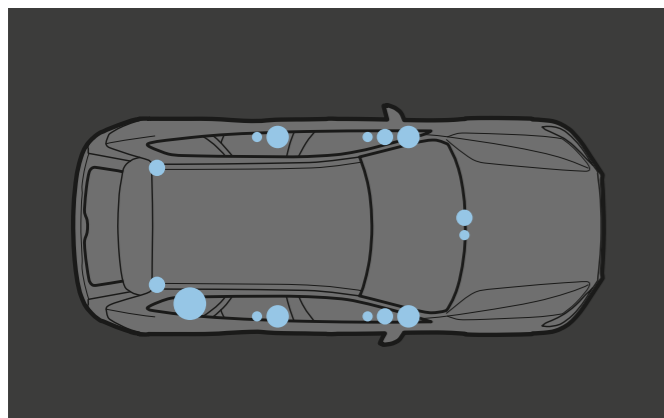
Get closer to the music you love, no matter which seat you're in. With Sensus Connect, all of your music is available all of the time, whether it's direct from your favourite media source or streaming from the internet.

It all begins with the 9" Sensus Touchscreen, the control centre. The surface responds to the lightest of touches – you only need to brush your fingers over the glass to operate its controls. It even works with gloved hands.

Connecting your devices is quick and easy. With our smartphone integration, you simply plug your smartphone into the car using the USB connection, and you can turn the centre display into an extension of your iPhone® (5 or later) or Android smartphone (5.0 Lollipop

or later). You can connect via Apple CarPlay™ or Android Auto™ to access your device's music, make calls and send messages. When connected, your phone will be charging too.

Your choice of entertainment is not limited to what you have on your smartphone or portable audio player. WiFi and tethered internet increases your options, with a fast and stable connection through the roof aerial. The Spotify® in-car app makes finding new music quick and easy, and you have access to internet radio and on-demand services as well. Our High Performance audio system is tuned to make the most of your music, while Bowers & Wilkins™ takes the listening experience to another level.



Our Bowers & Wilkins audio system brings exceptional clarity and realism to your favourite music. The unique air-ventilated subwoofer delivers richer, deeper bass by drawing air in from outside the car so it can pulse more air through the speaker. There are 15 speakers available, allowing everyone in the car to get the best possible sound all the time.



Get closer to the performance by using one of the system's three room modes to bring the music to life. Concert mode recreates the unique acoustic experience of the Concert Hall in Gothenburg, Volvo Cars' hometown, while Stage and Studio modes put you at the heart of the music, allowing you to hear it as the musicians intended.

"The Bowers & Wilkins audio takes the listening experience to another level."



9" Sensus Touchscreen. It's the focal point of the elegant cabin in a portrait format to give you a large viewable area that means less scrolling. This format is perfectly suited for displaying maps and mirrors the look of modern smartphones in its layout, so it feels

instantly familiar and intuitive. It features a glossy black finish that, thanks to a special coating, minimizes reflection – so it not only looks beautiful but works beautifully.



GET TO YOUR DESTINATION EVERY TIME, WITH EASE

Let Sensus Navigation be your guide, helping you find your destination and keeping you informed.

Everything you need to know is shown on the 12.3" Digital Driver Display right in front of you. The high-resolution image self-adjusts so it's never too bright, automatically resizing the instruments to accommodate navigation information. The head-up display shows all vital information on the lower part of the windshield, projected to look like it is hovering in front of the car. You stay informed without ever having to take your eyes off the road.

Getting to your destination is made even easier with the clear graphics of our maps. With free lifetime mapping upgrades, Sensus stays one step ahead, guiding you accurately.



9" Sensus Display. The portrait format makes reading maps and following navigation prompts beautifully straightforward. You can see where you're going and what's coming next.



Voice control. Controlling Sensus is as easy as telling it what to do. Talk to your Volvo and voice control will carry out your instructions.

T6 AWD | Inscription
724 Pine Grey | 20" 8-Spoke Black Diamond Cut
Alloy Wheels, R11F | Panoramic roof



Volvo On Call makes life easier and enhances the experience of owning a Volvo. It's a safety, security and convenience feature that includes a mobile app.

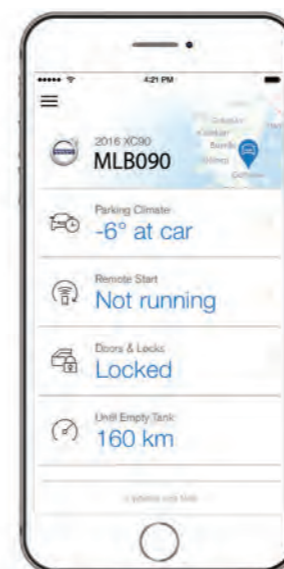
The remote engine start lets you begin every drive in comfort. Heat and defrost your car on cold mornings and cool your car on hot days before you even get in. You can also check if a window or the tailgate is open, and see if your car is locked, then lock it or unlock it, all with the touch of a button.

Plan journeys from home by searching for destinations in the app or from a computer and sending them to your car – so when you're ready to go, so is the navigation system. Volvo On Call can even sync with your calendar to remind you of appointments, then tell you how to get there.

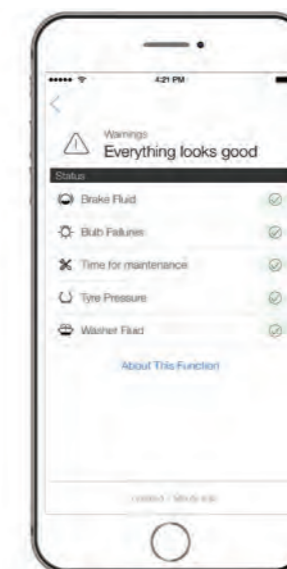
It's easy to find your car in a crowded parking lot. Just use the app's car locator function to flash the lights or honk the horn. With Volvo On Call, you can also check your fuel level, log journey data, and find out when your Volvo is due for service.

When you need help, Volvo On Call is ready. Just push a button and connect to the service centre to get roadside assistance. And if the airbags are deployed in a collision, Volvo On Call will detect it and send help, even if you are not able to push the SOS button yourself. Plus, Volvo On Call alerts you if your alarm goes off and helps the police track your car if it's stolen.

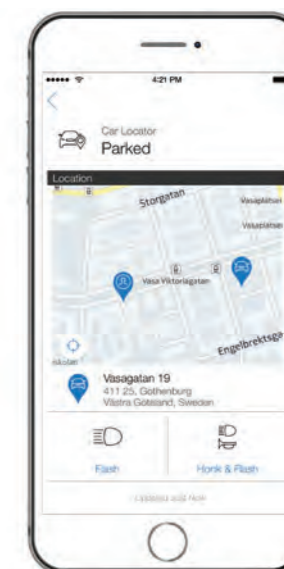
The app is compatible with your smartphone, iPad®, Windows 10-based PC or tablets, and wearables such as Apple Watch. These mobile app services are included for four years after you purchase your car. Volvo On Call is one more example of human-centric innovations, developed by Volvo Cars to improve your life.



The Volvo On Call mobile app allows you to start your vehicle, lock or open your doors or tailgate and much more, directly through your smart phone.



Volvo On Call provides you with detailed insight into your vehicle such as fluid levels, maintenance status and tire pressure, directly on your phone.



Volvo On Call allows you to easily locate your vehicle in a crowded parking lot: simply use the app's Car Locator function to flash the lights and honk the horn.

With Oncoming Lane Mitigation, your Volvo helps reduce the risk of colliding with an oncoming vehicle. Active at speeds from 60 km/h, it automatically steers you back into your lane if it detects that you have crossed the lane markings and into the path of an oncoming vehicle. You can override the automatic steering at any time by taking control of the steering wheel.

INTELLISAFE

Always looking out for you.

IntelliSafe is our name for the intuitive, intelligent Volvo Cars technologies that support your driving, help prevent accidents and protect you in a collision. These innovations play a key role in helping us achieve our bold vision that, by 2020, no one will be killed or seriously injured in a new Volvo car.

City Safety is at the heart of IntelliSafe. Fitted as standard, it's like a co-pilot who's looking out for you, detecting danger ahead then warning you and intervening, if necessary. City Safety identifies other vehicles, pedestrians, cyclists and large animals ahead of you, even at night. It warns you of any hazards, and if you don't react, it will brake automatically to help avoid or mitigate a collision.

Oncoming Lane Mitigation can help avoid collisions with oncoming vehicles by automatically steering the car out of the way.

Run-off Road Mitigation steers, and if necessary, brakes to help prevent you leaving the road accidentally. Driver Alert Control recognizes if you're tired or distracted and suggests that it's time to take a break, while Road Sign Information reminds you of the speed limit.

Reducing the impact of a collision is just as important as avoiding the collision. We invented the three-point seat belt over 50 years ago, and we've never stopped innovating; our latest advances include seats that help to cushion your spine from vertical impact forces.

With safety technology that's as advanced as this, your Volvo can help make every day safer. For you, your passengers and everybody.

*"With advanced safety technology,
your Volvo can help make every day safer."*



T6 AWD | Inscription
724 Pine Grey Metallic

When you need to avoid an obstacle in front of you, City Safety can help make the manoeuvre safer and faster. In these situations, if you steer quickly around the object, Steering Support adds extra effort as you turn the wheel. This turns the front wheels the correct amount to help

you avoid the object while braking both inner wheels to help make the turn more effective. It coordinates the braking with the steering at the same time so they're working together.

Cross Traffic Alert technology helps you to reverse out of a space knowing there are no vehicles about to collide with you. This technology can spot vehicles approaching from either side of your Volvo at a distance of up to 30 metres, while cyclists and pedestrians can be detected at even shorter distances.

T6 AWD | Inscription
724 Pine Grey Metallic | 20" 8-Spoke
Black Diamond Cut Alloy Wheels, R11F



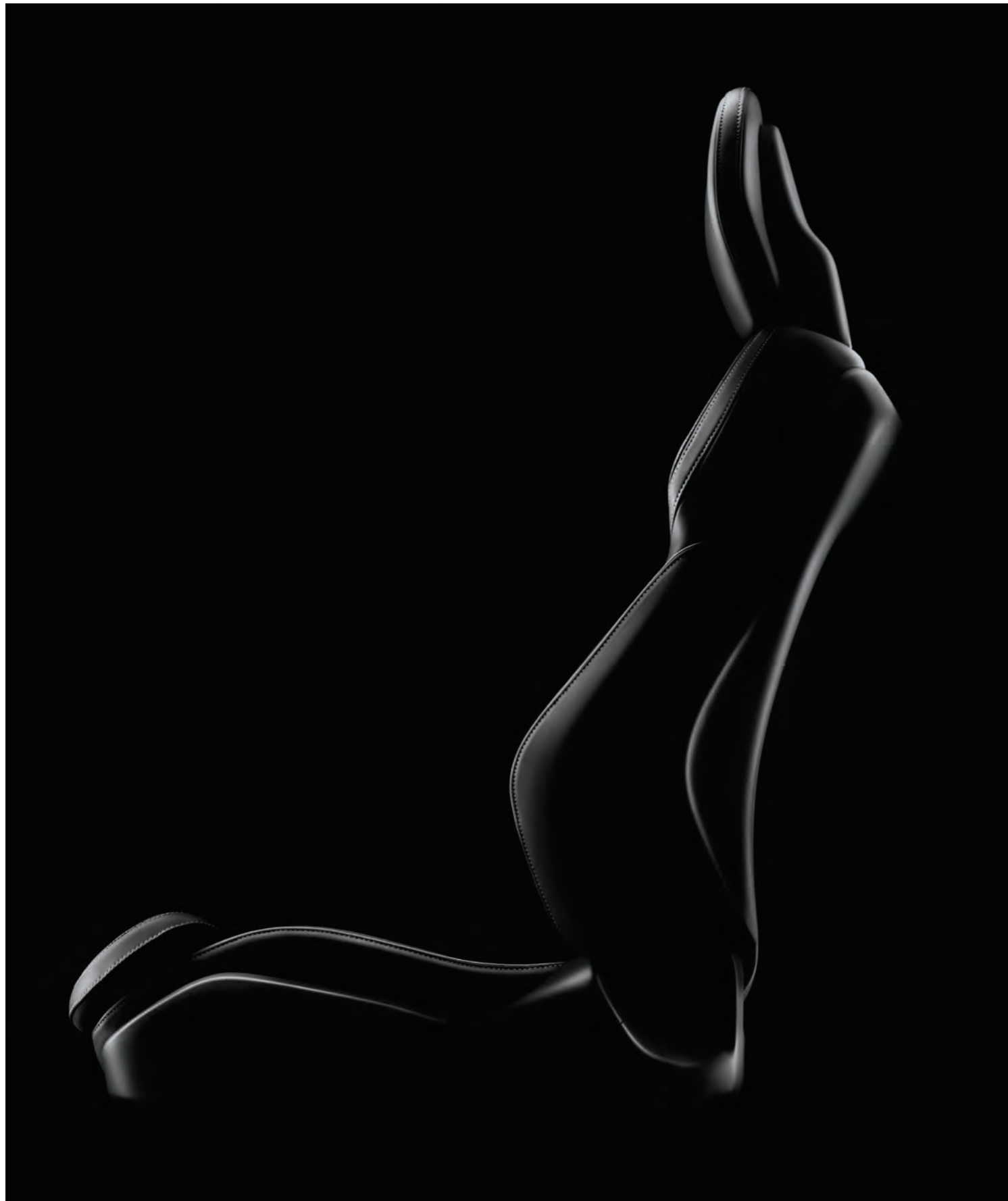


Our safety options add more cutting-edge technology to the comprehensive safety package that comes with the Volvo XC60.

IntelliSafe Surround includes BLIS™ (Blind Spot Information System) with Steer Assist for increased awareness and confidence on the highway, alerting you of vehicles alongside you. If you don't react to the warnings and start to drift into the path of another vehicle, the Steer Assist function will gently guide you back into your lane. Rear Collision Warning detects if another vehicle is about to hit you from behind and flashes the hazard lights more quickly than usual. It also tenses the seat belts. Cross Traffic Alert tells you if there's a vehicle, cyclist or pedestrian in your blind spot when you're reversing out of a parking space.

IntelliSafe Assist adds Adaptive Cruise Control and Pilot Assist, which help support the driver and make driving less tiring. Adaptive Cruise Control keeps the XC60 at a set distance from the car in front; the driver sets the gap and the XC60 will adapt its speed to maintain that distance. Pilot Assist helps keep the car in the centre of the lane by making small adjustments to the steering. It works at speeds up to 130 km/h and helps to make journeys more relaxing.

T6 AWD | Inscription
724 Pine Grey Metallic | 20" 8-Spoke
Black Diamond Cut Alloy Wheels, R11F



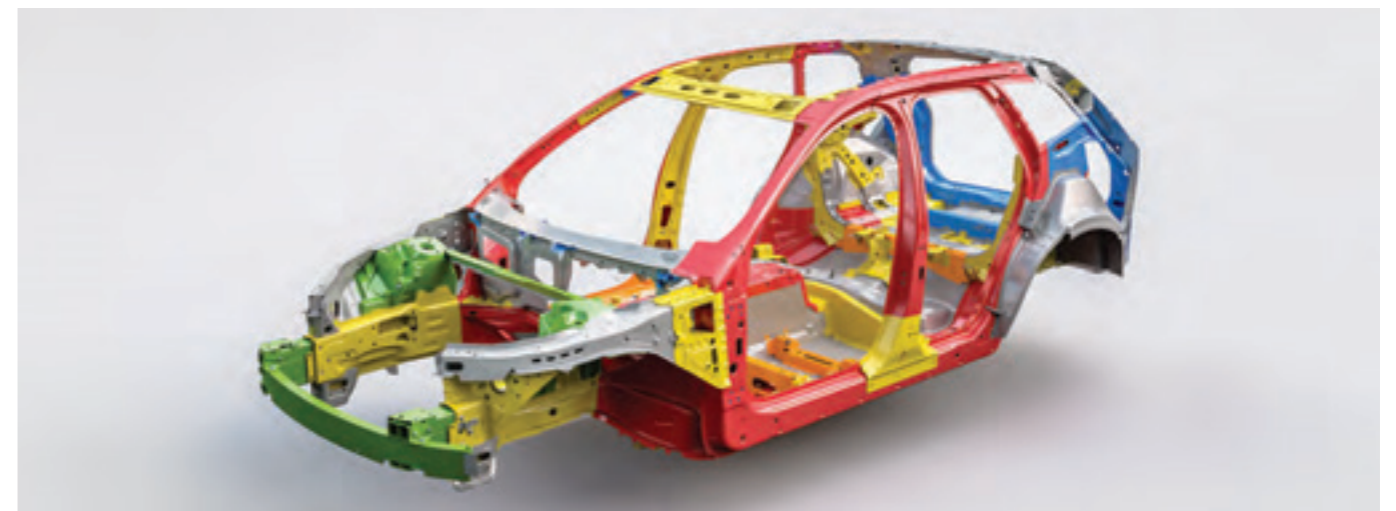
PROTECTING WHAT'S MOST IMPORTANT

Protecting you and your passengers has always been our priority at Volvo Cars, and our latest generation of vehicles does more than ever to keep you safe. From preventive technology that helps you avoid collisions to protective features that cushion the impact of any collision, we will never stop innovating in order to improve your safety.

The foundation for our new generation of cars is a very strong passenger compartment that uses a high percentage of ultra high-strength boron steel to create a protective cage around you and your passengers.

Should your car leave the road, Run-off Road Protection technology reduces your chances of suffering serious injury. Prepared front seat belts automatically tighten when the car senses that an impact is imminent, ensuring that you and your passenger are in the safest position if a collision occurs. If the car leaves the ground as a result of running off the road, our unique energy-absorbing seats help to protect your spine in the event of a hard landing.

It's this range of safety technologies and attention to detail that makes your Volvo a safe place to be.



The body of the Volvo XC60 is designed for maximum strength around the passenger compartment and maximum energy dissipation in the front and rear crumple zones.

Prepared front seat belts tighten automatically if the car detects that a collision is likely, to ensure you're in the safest position should one occur.

T6 AWD | Inscription
 724 Pine Grey Metallic | 20" 8-Spoke
 Black Diamond Cut Alloy Wheels, R11F

"Balancing performance and efficiency, every Volvo powertrain gives you on-demand power with low fuel consumption and emissions."

DRIVE-E

Enjoying more, using less.

Drive-E is our new generation, all-embracing approach to efficient power and an uncompromising driving experience. In fact, it redefines how luxury cars will be powered in the 21st century. It delivers the performance and driving enjoyment you would expect from a luxury SUV, as well as reduces the impact on the environment. This means you get power and driveability together with low fuel consumption and CO₂ emissions.

The key to this is our new lightweight, low-friction, turbo, and turbo and supercharged 2.0L four-cylinder engine, which is coupled with our newly-designed automatic eight-speed Geartronic™ transmission. To maximize the efficiency of our Drive-E powertrains, there is Eco Mode, which calibrates the gearbox and engine control systems for the lowest possible fuel consumption. Eco Mode also softens the throttle response to further boost efficiency. Since the air-conditioning impacts fuel use, it is partly disengaged in this mode, although it can be fully switched on manually. There is also the Eco-Coast function, which uses the car's kinetic energy to save fuel. When the driver stops pressing the accelerator at speeds above 65 km/h, there is no engine braking; the car just coasts along with the engine at idle. Finally, the Stop/Start system also plays its part in lowering fuel consumption.

This technology enables us to offer the power of a much larger engine from a compact four-cylinder to achieve the perfect mix of power and efficiency.

Balancing performance and efficiency, every Volvo powertrain gives you on-demand power with low fuel consumption and emissions.



T8 eAWD Plug-In Hybrid | R-Design
707 Crystal White Metallic

TWO HEARTS, ONE CAR

Our high-performance powertrain, the T8 eAWD Plug-In Hybrid, turns the Volvo XC60 into a true performance car but, with its combination of turbocharged and supercharged gas engine with an electric motor, the XC60 also has class leading fuel economy.

With 400 hp, the combination of a four-cylinder gas engine and powerful electric motor offer the power and performance of a much larger engine, but uses much less fuel. The gas engine drives the front wheels and the electric motor powers the rear, giving instantaneous acceleration and on-demand all-wheel drive.

With just the electric motor powering the car, you benefit from silent, emissions-free driving and an electric-only range ideally suited for daily commuting.

Four different drive modes offer precise control over the car's powertrain. Hybrid mode uses gas and electric power for the best balance of power and efficiency, while Pure uses the electric motor only for zero-emission driving. Power combines the full output of

the gas engine and the electric motor for the best performance, while AWD switches to full-time all-wheel drive. Blend your favourite elements of each mode and create a mode that's tailored to your needs by selecting Individual.

Controlling this technology is intuitive and straightforward. A beautiful roller switch allows you to flick easily between modes. And if you've chosen our active chassis with air suspension, your car automatically selects the best chassis settings to complement the drive mode, allowing you to enjoy the drive while your Volvo does the work.

Charging the battery is quick and easy. Drive the car and it charges the battery with a generator and regenerative braking. If you need to top it up, simply plug it in.

The T8 eAWD Plug-In Hybrid gives you the best of both worlds. Power without compromise.



Made from Orrefors® crystal, the gear selector in the T8 eAWD Plug-In Hybrid blends traditional Swedish materials with advanced design and technology.



The power of a turbo and supercharged gas engine combined with a responsive electric motor makes the T8 eAWD Plug-In Hybrid a true performance SUV.



Plug in and charge up. Use the charging port to plug in the car and enjoy the refinement of the electric motor wherever you go. The T8 eAWD Plug-In Hybrid gives you the best of both worlds. Power without compromise.

"The T8 eAWD Plug-In Hybrid gives you the best of both worlds. Power without compromise."



T8 eAWD Plug-In Hybrid | R-Design
707 Crystal White Metallic



The way we've designed the Volvo XC60 T8 eAWD Plug-In Hybrid gives you more than just efficiency – you will notice how well balanced and responsive the car feels on the road, and how quickly it reacts to changes of direction. By mounting the electric motor over the rear axle and fitting the battery along the car's centreline, we've given the XC60 near-perfect weight distribution, a key element in creating agile handling. The battery's location helps create a low centre of gravity in the middle of the XC60 so the car is stable, sure-footed and comfortable. And because the battery is not in the trunk, you get the same luggage capacity in the T8 eAWD Plug-In Hybrid as you do in all other XC60 models. Our cars are designed from the outset to use plug-in hybrid technology, so your experience with them is never compromised.



T6 AWD | Inscription
 724 Pine Grey Metallic | 20" 8-Spoke
 Black Diamond Cut Alloy Wheels, R11F

DRIVE. DON'T COMPROMISE.

We built the Volvo XC60 to strike a balance between control, precision and comfort. Sophisticated double-wishbone front suspension and our innovative integral axle rear suspension work together to put you in control of every drive. You get a car that responds to your commands but doesn't sacrifice the comfort you need.

Full air suspension makes the XC60 even more capable, isolating the car's body from the road and soaking up uneven surfaces. By keeping the ride height constant the air suspension increases stability, making the XC60 easier and more predictable to control. The car body's height is adjusted according to its drive mode and speed. In Comfort or ECO drive mode, the body is lowered 10 mm to 20 mm at higher speeds, using less fuel and making it quieter. In Dynamic mode, the body is lowered constantly by 20 mm in order to enhance handling and road holding. All-wheel drive delivers even greater reassurance on demanding roads.

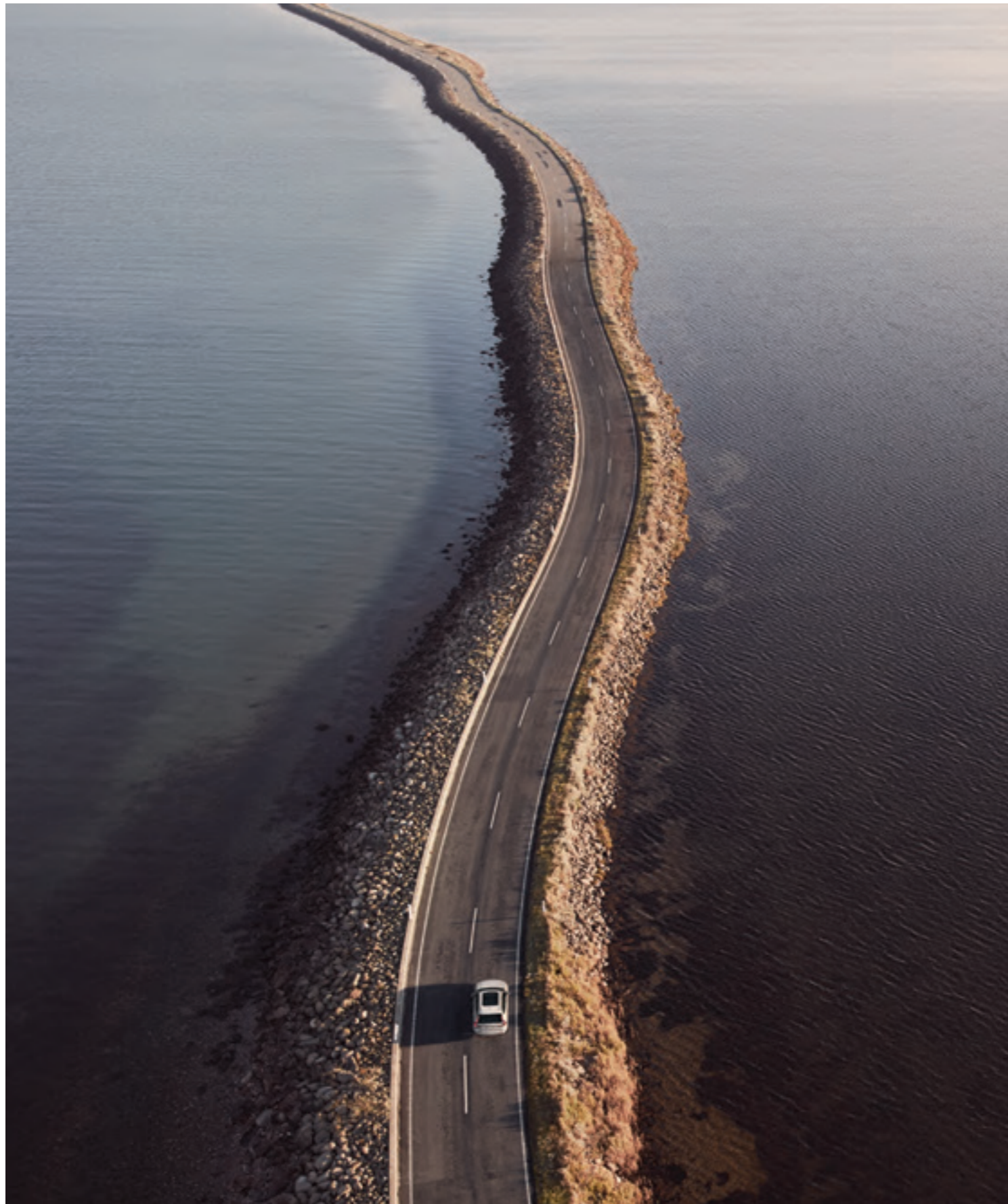
As an option, you can choose between five drive modes that allow you to tailor the car's behaviour to your mood and find the perfect setting for the road you're on. Altering the engine, gearbox, accelerator and steering response changes the way the car behaves and, in the case of the optional active chassis with full air suspension, even how it rides and handles. On rough roads, Off Road mode makes the XC60 easier to control at the low speeds needed to tackle rugged surfaces, and engages Hill Descent Control to make descending slopes safer and simpler.



Available air suspension on all four wheels gives the XC60 outstanding ride comfort – the air springs absorb imperfections in the road and make the car stable by keeping the ride height constant, regardless of the load. With the active chassis you can alter the way the car rides and handles to suit your mood or the road.



T8 eAWD Plug-In Hybrid | R-Design
707 Crystal White Metallic



YOUR JOURNEY BEGINS HERE

We created the new Volvo XC60 with one single purpose: to provide you with an SUV that perfectly fits you and your lifestyle. A car that meets your expectations of a dynamic drive with refined comfort and confident design.

At the heart of your XC60 is a dynamic, efficient powertrain. Whichever you choose, you will enjoy our latest Drive-E technology that gives you instant response and a comfortable ride. Fuel consumption and CO² emissions are kept low, and our powertrains already comply with future exhaust emission legislation.

Our Drive-E powertrain range includes advanced gas engines combined with our smooth eight-speed Geartronic™ automatic gearbox. Responsive all-wheel drive technology gives you an edge by increasing driving stability and traction on all road surfaces and in all weather conditions. And for the ultimate combination of performance and efficiency, there's the option of our T8 eAWD Plug-In Hybrid powertrain.

Make your choice and enjoy the journey, wherever it takes you.

T8 eAWD Plug-In Hybrid

Our T8 eAWD Plug-In Hybrid powertrain delivers an exhilarating drive with uncompromised efficiency. Combining a high-performance gasoline engine and an electric motor, this combined 400 hp/472 lb-ft powertrain allows outstanding highway performance and zero emission commuting – with all-wheel drive capability when needed.

T6 AWD

This high-performance 316 hp/295 lb-ft gas powertrain provides excellent driving dynamics without compromising on efficiency. Combined super-charger/turbo technology, responsive all-wheel drive and our smooth eight-speed Geartronic™ put you in control of your drive.

T5 AWD

The 250 hp/258 lb-ft T5 AWD turbo-charged gasoline engine is as responsive on the highway as in the city. This superb all-rounder delivers generous power just where you need it, ensuring excellent driveability in combination with our smooth 8-speed Geartronic™ automatic gearbox and all-wheel drive.

T8 eAWD Plug-In Hybrid | R-Design
707 Crystal White Metallic



Volvo XC60 Momentum
The high level of standard equipment meets your demands on style, comfort, safety and sophisticated design.



Volvo XC60 R-Design
The thrill of a spirited drive, characterized by style, responsiveness and control.



Volvo XC60 Inscription
The highly sophisticated expression of Swedish luxury.

CREATE THE SUV OF YOUR CHOICE

To ensure you get your new XC60 exactly as you want it, we have created a range of options, trim levels and personal expressions. The standard Momentum trim level provides you with everything you need for inspired traveling. Maybe you want to indulge your

senses in the finest Swedish luxury? Then you'll feel at home with Inscription. Or if you're up for a sportier style inside and out, take a look at R-Design. Whatever you prefer, you can rest assured there's a Volvo XC60 for you.

THE RIGHT EQUIPMENT FOR YOUR DRIVE

Generously equipped at the standard trim level, the Volvo XC60 Momentum will provide you with a high level of technology that will meet high demands on style, comfort, safety and distinctive design.

Unique exterior design cues such as our signature design LED headlights, the high gloss black grille and integrated roof rails in satin silk metal finish contribute to the both powerful and stylish appearance of the XC60 Momentum. The 18", 19" or 20" alloy wheels will add to the car's exclusiveness and road presence, while the dual stainless steel tailpipes add a powerful finish.

Inside, aluminum tread plates welcome you every time you enter the cabin of your XC60. You can enjoy the control provided by our 8" or 12.3" Driver Display and Sensus Connect with enhanced connectivity – such as the intuitive operation of our 9" Sensus Touchscreen with voice control – while everybody on board will appreciate the clear sound reproduction of our High Performance audio system including Bluetooth® music streaming and Apple CarPlay/Android Auto. Our two-zone climate system ensures you and your passengers can enjoy a comfortable cabin climate in all temperatures – the driver and front seat passenger can adjust the temperature to suit individual preferences. As driver you will enjoy the feel of a leather steering wheel, a leather gear lever and ergonomic Comfort Seats. Power adjustable 4-way lumbar support including vertical adjustment makes it easy to optimize the support to your needs.

The seats, upholstered in leather with textile floor mats and Iron Ore aluminum decor inlays, further complement the interior ambience. When it's dark, interior illumination enhances the luxurious feeling inside your XC60 Momentum.

And of course: you get our world-leading IntelliSafe technologies including the City Safety Collision Avoidance Technology with Steering Support, Lane Keeping Aid, Run-off Road Mitigation, Oncoming Lane Mitigation and Driver Alert Control as standard. To further enhance your feeling of relaxed control whether you're driving in the city or on the highway, you can add IntelliSafe Assist which includes semi-autonomous driving technologies, such as Adaptive Cruise Control with Pilot Assist. And with IntelliSafe Surround, our BLIS™ (Blind Spot Information System) with Steer Assist and Cross Traffic Alert help increase your awareness of what's going on around your car.

Power retractable door mirrors and rear park assist support your parking. Adding our 360° camera and Park Assist Pilot, you'll enjoy perfect parking with total confidence – even in tight spaces.

To make your XC60 Momentum suit your adventures as well as everyday challenges, the rear seat backrests fold to create a flat load compartment floor. And to further facilitate loading and unloading, a power-operated tailgate is standard with an available hands-free function. Just move your foot beneath the rear bumper and the tailgate opens and closes at your convenience.



1



2



3



4



5



6

1. The XC60 Momentum with signature design LED illumination headlights, integrated roof rails in satin silk metal finish, 19" Alloy Wheels (T6), front seat memory (standard T8), and bright deco exterior details. 2. Back-up Camera supports you when reversing and the chrome dual tailpipes give your XC60 Momentum a more dynamic look. 3. The standard 8" Driver Display allows you to choose between different visual appearances. To provide optimum visibility, the display's brightness automatically adapts to exterior light conditions. 4. Inside the XC60 Momentum, you can enjoy the contemporary spirit of our leather Comfort Seats and Iron Ore decor inlays. 5. The integrated roof rails in satin silk metal finish add an extra touch of exclusivity to your XC60 Momentum. 6. Sensus Connect includes the large 9" Sensus Display with touchscreen, voice control, USB/AUX inputs, internet maps and our 330W High Performance audio system with 10 excellent speakers, Bluetooth® audio streaming, and Apple CarPlay/Android Auto.



18" 5-Y Spoke,
Silver Alloy Wheels, R11B
(Standard T5)



19" 5-Double Spoke,
Alloy Wheels, R113
(Standard T6, Optional T5)



20" 5-Double Spoke,
Tech Matte Black Diamond Cut Alloy Wheels, R11E
(Optional T6)



019
Black Stone (Solid)



614
Ice White (Solid)



707
Crystal White Metallic



711
Bright Silver Metallic



714
Osmium Grey Metallic



717
Onyx Black Metallic



724
Pine Grey Metallic



725
Fusion Red Metallic

MOMENTUM

Sporty, elegant 18" Alloy Wheels in Silver Alloy finish come standard, and to further enhance the appearance of your XC60, you have the option of larger 19" or 20" wheels. The exterior colour you choose

has a dramatic impact on the personality of your XC60 Momentum. Available in different variations, each colour enhances your Volvo with a sense of luxury and presence.

Comfort Seat



1

2



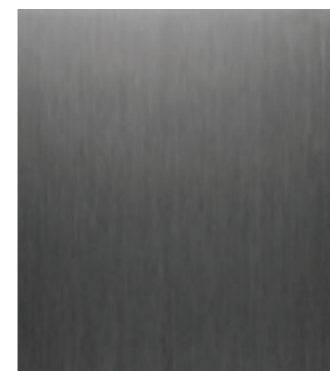
3

4



5

6



7

MOMENTUM

The interior of the XC60 is a testimony to our designers' pursuit to create a space in which you feel relaxed and in complete control. For a contemporary look and feel, the Momentum trim level features Comfort Seats with exclusive leather upholstery available in several different interior colour combinations to suit your personal preferences. The interior ambience is further enhanced by decor inlays in Iron Ore aluminum and aluminum tread plates.

UPHOLSTERIES Leather, Comfort Seat (Standard) **1.** Charcoal in Charcoal Interior, RA00 **2.** Amber in Charcoal Interior, RA20 **3.** Blond in Blond/Charcoal Interior and Charcoal base carpets and mats, UA00 | Leather, Contour Seats (Optional) **4.** Charcoal in Charcoal Interior, RA01 **5.** Blond in Blond/Charcoal Interior, UA01 **6.** Blond in Charcoal Interior, RA41 **7.** Iron Ore Aluminum Finish, NC09

T8 eAWD Plug-In Hybrid | R-Design
707 Crystal White Metallic |
21" 5-Double Open Spoke Tech Matte
Black Diamond Cut Alloy Wheels, R120



*R*DESIGN

INSPIRED BY THE ART OF DRIVING

If you love to drive, the Volvo XC60 R-Design is for you. With a unique personality, R-Design captures the thrill of a spirited driving experience characterized by style, responsiveness and control. A wealth of distinguished design details raises the dynamic soul of your Volvo and gives it a sportier, more distinct road presence. It's an expression that catches the eye from every angle and hints at the promise of an amazing drive, every time. And you can rest assured

that the XC60 R-Design will deliver. Surrounded by meticulously crafted and expressive interior design details, you can feel it right from the moment you take your position in the sculpted R-Design driver seat. Everything – from the R-Design steering wheel with gearshift paddles to the Charcoal headlining – is there to inspire and support your driving. And for an even more energetic, road-hugging drive, the XC60 R-Design benefits from an advanced sport chassis.



1

R-DESIGN

R-Design is Volvo in smart designer sports gear – it's all about a performance-inspired look and feel, both inside and out. It's a truly eye-catching expression with sporty exterior design cues, such as its own distinctive grille in high gloss black with Silk Metal frame, front spoiler, stylish Silk Metal window trim, Bright Silver Tech Matte finish door mirror caps, prominent dual tailpipes and Tech Matte R-Design 19" and 21" Alloy Wheels in striking Diamond Cut design. Our signature headlights with LED illumination provide excellent vision and a distinctive attitude on the road.

On the inside, the R-Design tread plates in Silk Metal finish greet you on-board. The refined sporty theme continues with Metal Mesh aluminum decor inlays, Charcoal headlining and sculpted R-Design Contour Seats with a unique Nubuck/Perforated Fine Nappa Leather upholstery. Together, these features give the cabin a technical, cockpit-like feel. R-Design logotypes and distinct contrast stitching in the seats, the gear shifter and the steering wheel in perforated leather all reinforce the sporty yet elegant ambience.

Adjustable front seat cushion extensions further enhance thigh support for improved comfort during long drives.

And when it's dark, our most advanced interior illumination enhances the exclusive ambience inside your XC60 R-Design. Further adding to your sense of being in control, the R-Design also provides you with our largest 12.3" Digital Driver Display. Conveniently positioned in the tunnel console between the front seats, there is also a drive mode control that allows you to shift between five driving modes – Comfort, Dynamic, Eco, Off-Road and Individual Mode.

Behind the R-Design sport steering wheel in Perforated Fine Nappa Leather, you can enjoy the dynamic response and feedback from a finely tuned sport chassis. This chassis features stiffer springs and dampers for more responsive handling and less roll when cornering.

The XC60 R-Design is available in T6 AWD and T8 eAWD Plug-In Hybrid powertrains.

1. The XC60 R-Design in Crystal White Metallic with optional 21" 5-Double Spoke Tech Matte Black Diamond Cut Alloy Wheels. 2. The R-Design interior featuring Contour Seats with exclusive Nubuck/Perforated Fine Nappa Leather upholstery, Metal Mesh Aluminum Decor Inlays. 3. Metal Mesh aluminum decor inlays. 4. 21" Tech Matte Black Diamond Cut Aluminum Wheels for the ultimate R-Design experience. 5. The R-Design sport steering wheel in perforated leather with gearshift paddles and 12.3" Digital Driver Display with four graphic modes. 6. Dual integrated tailpipes for a distinctive road presence. 7. R-Design door mirror caps in contrasting silver look. 8. Our Signature headlights with LED illumination, the glossy black R-Design grille with frame in Silk Metal finish and unique glossy black lower outer grilles add to the dynamic character of your XC60 R-Design.



2



5



6



3



7



4



8



19" 5-Double Spoke
Tech Matte Black Diamond Cut
Alloy Wheels, R11C (Standard)



21" 5-Double Open Spoke
Tech Matte Black Diamond Cut
Alloy Wheels, R120 (Optional)



477
Electric Silver Metallic



612
Passion Red (Solid)



707
Crystal White Metallic



714
Osmium Grey Metallic



717
Onyx Black Metallic



720
Bursting Blue Metallic

R-DESIGN

The exterior leaves no doubt about the intention of your Volvo XC60 R-Design. The exterior colours are carefully selected to match the car's dynamic character, each with its own unique expression – especially Passion Red and Bursting Blue Metallic, exclusively created for R-Design. Passion Red is the iconic sporty colour, while Bursting Blue metallic adds a techy, sporty look that perfectly

highlights the body inserts in high-gloss black and silk metal finish. The 19" 5-Double Spoke Alloy Wheels in Tech Matte Diamond Cut or the optional 21" 5-Double Open Spoke Tech Matte Diamond Cut Alloy Wheels give your XC60 R-Design a superior road presence that put your Volvo in a class of its own.



Contour Seat

R-DESIGN

Inside your Volvo XC60 R-Design, you can enjoy a dynamic and driver-focused interior made of high-class materials. The sculpted R-Design Contour Seats with adjustable seat cushion extensions will provide relaxed support through any twists that the road has in

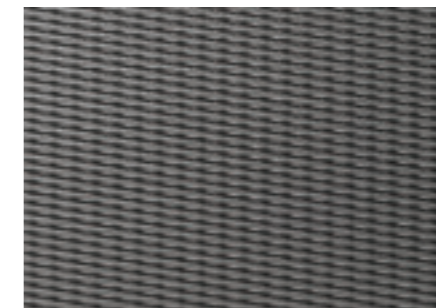
store, while the exclusive Nubuck/Perforated Fine Nappa Leather with contrasting stitching provides a sporty yet sophisticated feel – a dynamic yet stylish sensation further enhanced by decor inlays in Metal Mesh aluminum that perfectly complement the Charcoal interior.



1



2



3

UPHOLSTERIES Nubuck/Perforated Fine Nappa Leather, Contour Seat (Standard) **1.** Charcoal in Charcoal Nubuck & Nappa Leather Interior, RB0R **2.** R-Design Key Fob in Perforated Leather **3.** Metal Mesh – Aluminum Finish

Inscription

A HIGHER GRADE OF REFINEMENT

We created the exclusive Volvo XC60 Inscription to meet your highest expectations of Swedish luxury. It's a highly personal expression that evokes a strong sense of elegant refinement. Each detail is carefully selected to give you and your passengers a stylish and invigorating experience. Distinguished exterior design cues enhance the luxurious look and feel of the vehicle, while the meticulously crafted

interior with fine Nappa leather seats give you ample room for a relaxed driving experience. The XC60 Inscription epitomizes our proud heritage of human-centric design. And when it comes to intelligent luxury with distinctive style and fresh thinking, the XC60 Inscription is in a class of its own.

T6 AWD | Inscription
724 Pine Grey Metallic | 20" 8-Spoke
Black Diamond Cut Alloy Wheels, R11F





1



2



3



4



5



7



8



6



9

INSCRIPTION

The highly sophisticated Volvo XC60 Inscription expresses the essence of contemporary luxury. Instantly recognizable by its distinctive chrome-finish grille and lower door bright deco molding, this expression sets the XC60 Inscription apart, thanks to a number of well-judged exterior design cues that correspond with the car's timeless Scandinavian design. The 8-spoke 20" Alloy Wheels in distinctive Diamond Cut design harmonize perfectly with the dynamic and exclusive character of your XC60 Inscription. Together with elegant dual integrated tailpipes, the wheels also contribute to the car's confident stance. Our signature LED illumination contributes to both a strong visual identity and excellent vision in the dark.

On the inside, the luxurious theme continues with authentic, finely crafted materials that create a lounge-like atmosphere of sumptuous well-being. You and your passengers can lean back in sculpted power-operated Comfort Seats in fine Nappa Leather. Unique Driftwood decor inlays in genuine wood and our most advanced ambience interior illumination add to the rewarding Inscription experience.

For you as driver, the large 12.3" Digital Driver Display and convenient drive mode settings in the console between the front seats add to your feeling of being in command. And to enhance your driving experience, our optional active chassis with air suspension optimizes comfort and handling – select between five different chassis settings with the Drive Mode control.

The four-zone climate control allows both the driver and the front seat passenger as well as the outer rear seat passengers to set their individual cabin temperature. With the panoramic glass roof, everyone inside your XC60 will enjoy a superb experience of air and light – the front section can be opened at a push of a button, and during sunny days a power-operated sunshade in perforated textile will reduce the heat and glare while maintaining the airy feel inside the cabin. Turning your XC60 into a concert hall, our optional high-end audio system Bowers & Wilkins brings exceptional clarity and realism to your music, wherever you're seated.

1. Power-operated Comfort Seats with fine Nappa Leather upholstery and exclusive Driftwood genuine wood decor inlays add to the sensory experience of contemporary luxury. 2. Select your preferred drive mode and steering characteristics with the scroll wheel in diamond patterned metal finish. 3. The exclusive Inscription leather-clad remote control shell is in the same colour as the leather upholstery in your XC60 Inscription – an excellent example of thoughtful Scandinavian craftsmanship and clean design. 4. The XC60 Inscription with dynamic yet elegant 20" Inscription 8-Spoke Alloy Wheels (standard) in distinctive Black Diamond Cut design. 5. Dual integrated tailpipes and optional bright deco trim add to an elegant and powerful impression. 6. The intuitive 12-inch driver display with four graphic modes and the 9" Sensus Display with touchscreen puts you in the centre of the action. 7. Inscription front grille in elegant chrome finish and the signature headlights with LED illumination. 8. The lower door bright deco molding with Inscription logotype. 9. The lower outer grilles with chrome trim and fog lamps with cornering function complement the elegant front design of your XC60 Inscription (T6 Only).



20" 8-Spoke
Black Diamond Cut Alloy Wheels, R11F
(Standard T6 and T8)



019
Black Stone (Solid)



614
Ice White (Solid)



707
Crystal White Metallic



711
Bright Silver Metallic



714
Osmium Grey Metallic



717
Onyx Black Metallic



719
Luminous Sand Metallic



723
Denim Blue Metallic



724
Pine Grey Metallic



725
Fusion Red Metallic

INSCRIPTION

The Volvo XC60 Inscription exterior with its design touches is a timeless expression of classical Scandinavian design. The exterior colour palette allows you to create the XC60 Inscription that best

reflects your style and preferences. Available in distinctive Diamond Cut design, the 20" wheels connect visually with the exterior design cues to create a harmonious impression of contemporary elegance.

Comfort Seat in
Nappa Leather



1



2



3



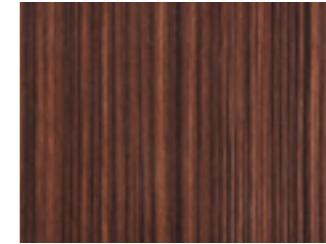
4



5



6



7

INSCRIPTION

Inside the XC60 Inscription, you are surrounded by thoughtful luxury. There are genuine materials and fine craftsmanship wherever you look – a sensory experience further enhanced by the ergonomically designed Comfort Seats. Our luxurious seats feature Perforated Fine Nappa Leather, including power-operated side support, power seat cushion extensions and ventilation.

UPHOLSTERIES 1. Perforated Fine Nappa Leather Charcoal in Charcoal Interior, RC00 2. Perforated Fine Nappa Leather Maroon Brown in Charcoal Interior, RC30 3. Perforated Fine Nappa Leather Amber in Charcoal Interior, RC20 4. Perforated Fine Nappa Leather Blond in Blond/Charcoal Interior and Charcoal base carpets and mats, UC00 5. Charcoal Leather, Blond Leather, Amber Leather, Maroon Brown Leather Key Fobs 6. Driftwood (Standard) 7. Linear Lime (Optional)

LUXURY, YOUR WAY

The Volvo XC60 Inscription is about elegant, Swedish luxury. To make your SUV an even stronger and more personal statement, you can add our exterior styling kit.* Front and rear skidplates in stainless steel combined with the integrated dual split tailpipes* and body-coloured wheel arch extensions enhance your car's exclusive and

powerful presence. And adding our large 22" 10-Open Spoke Alloy Wheels as an accessory option lends the elegance of your XC60 Inscription a more rugged touch – perfectly harmonizing with the stainless steel design elements of the exterior styling kit.



T6 AWD | Inscription
724 Pine Grey Metallic | Exterior styling kit with stainless steel skidplates front and rear | 22" 10-Open Spoke Black Diamond Cut Alloy Wheels

*Available late 2017.

Our accessory 22" wheels enhance the dynamic design of your XC60 by adding a premium look, and by enhancing road feel and handling. The accessory front and rear skid plates are made of stainless steel, which integrate seamlessly into the lines of the car. The feeling of power and poise is finished off with dual integrated tail pipes.

FOR ALL OF LIFE'S JOURNEYS

Create a Volvo XC60 that's perfect for your life with Volvo accessories that are designed around you and your car.

Through the utilisation of a secure mounting, the Volvo iPad® holder ensures that your tablet remains in place during hard braking, or in the event of a collision. The 7" media player provides rear seat passengers the ability to enjoy a DVD while travelling. The media player is removable and can also be utilised outside the car, enhancing the entertainment possibilities.

It's also important to protect passengers from cargo carried in the cargo compartment. A steel protective grille provides a sturdy barrier to safely isolate cargo from the passenger cabin, reducing the chance of injury on your journey. The load compartment liner helps ensure the interior of the cargo area remains clean and tidy.

For owners with young drivers, Volvo's Red Key allows you to restrict speed and radio volume to ensure the car is driven responsibly.



1



2



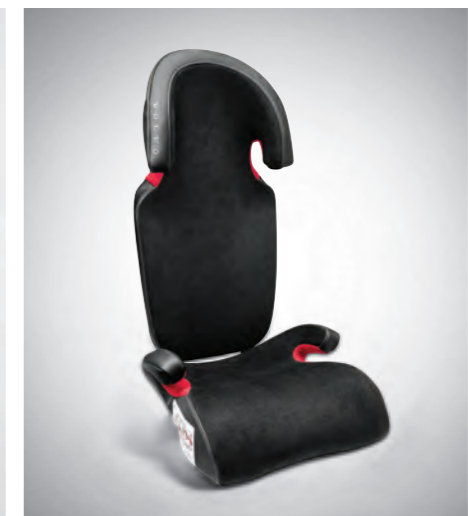
3



4



5



6

1. Protective steel grille. 2. Load compartment mat, plastic.

3. iPad® Holder. 4. 7" Media Player. 5. Red Key Fob, key for car owners who want to ensure the car is driven responsibly. 6. Child seat, booster cushion with backrest, Leather/Nubuck Textile.

WORKS HARDER WHEN YOU NEED IT

Make the Volvo XC60 work for you with Volvo Cars' range of exterior accessories, designed to look good and work flawlessly. Made from tough, high-quality materials, they're built to withstand the punishment inflicted by the Canadian climate.

Take advantage of our range of roof-mounted accessories by adding a pair of tough, low-profile load carriers. Easy to fit (they clip onto the car's roof rails), they instantly allow you to fit our load carrier accessories, from the bike rack to the canoe holder. Our roof box, designed by Volvo Cars, fits straight onto the load carriers, and adds

350 L to the carrying capacity. Ideally suited to carrying skis (and capable of carrying up to six pairs), its low weight and Quick Grip mountings make it possible to fit easily, while neat touches such as LED lighting in the lid help you load in the dark.

The bumper cover protects the paint from damage caused by loading objects into the trunk. Made from stainless steel, the cover looks great and works well.



1



2



3



4



5



6



7



8

1. Bicycle holder. 2. Load carriers. 3. 22" 5-Double Spoke Tech Matte Black Diamond Cut Alloy Wheel. 4. 22" 10-Open Spoke Black Diamond Cut Alloy Wheel. 5. Bumper cover.

6. Roof box, designed by Volvo Cars. 7. Mud flaps, front. 8. Trailer Hitch.



WINTER WHEEL KITS BY VOLVO

Why use winter tires?

All of the grip your tires provide can be summed up by looking at the palm of your hand. That is the size of the contact surface your car uses to accelerate, stop and steer. Driving in the winter requires a tire that can maximize this area on snow and ice, and which can also remain flexible enough in cold temperatures to conform to the varying shape of the pavement.

'All-season' and 'summer' tires are generally wider than winter tires, and they tend to have fewer grooves in the tread. This helps them maintain the most rubber contact with summer roads. During the winter months, ice, snow and slush create a barrier between the tire and the pavement compromising, most of the grip. They also must operate above certain temperatures to maintain the elasticity needed to grip the road. These different conditions of operation mean that tires suited specifically for the winter are critical for safe driving.

However, you should not simply install just any winter tire on your vehicle. Volvo evaluates winter tires for their performance on snow and ice, their high-speed stability during evasive maneuvers, and the noise and harshness they create in the cabin.

Why Volvo winter wheel kits?

The engineers at Volvo must balance style and sophistication with high-quality and optimum driving characteristics. Volvo winter wheel kits are designed, tested and manufactured to Volvo's comprehensive standards in order to optimally interact with your car, maximizing the safety and performance of the vehicle in a uniquely Volvo way.

Volvo engineers have developed leading edge autonomous safety features which we call IntelliSafe. By monitoring the road ahead, IntelliSafe can apply the brakes and steer the car to avoid a collision. Tire grip is key to ensure these systems can intervene effectively. A Volvo winter wheel kit provides these systems with the best possible advantage to ensure you and your passengers are always safe no matter the weather outside.



18" 5-Y-Spoke
Silver Alloy Wheels, 1009



19" 10-Spoke
Black Diamond Cut Alloy Wheels, 1010

polestar

POLESTAR SOFTWARE OPTIMIZATIONS

For those who want more power and enhanced driveability, our partners at Polestar have developed a software optimization that enhances engine output, transmission performance and overall driveability. This enhancement isn't just for drivers that want more power. Drivers who tow or frequently have to merge onto highways will appreciate the added power and enhancement to driving dynamics that this accessory provides. This software upgrade is available through your local Retailer, and can be quickly installed. We also feature a 30-day money back guarantee to ensure you are happy with the difference that Polestar optimization software makes!

To provide the best driving experience, Polestar performance optimization software focuses on 5 key areas:

Throttle Response

Throttle response has been recalibrated to provide improved feedback and accelerator reaction – ideal for overtaking or during active driving on a twisting road.

Off Throttle Response

The engine and gearbox have been calibrated to provide faster responses when the driver suddenly releases the throttle, providing improved predictability and control.

Gearshift Speed

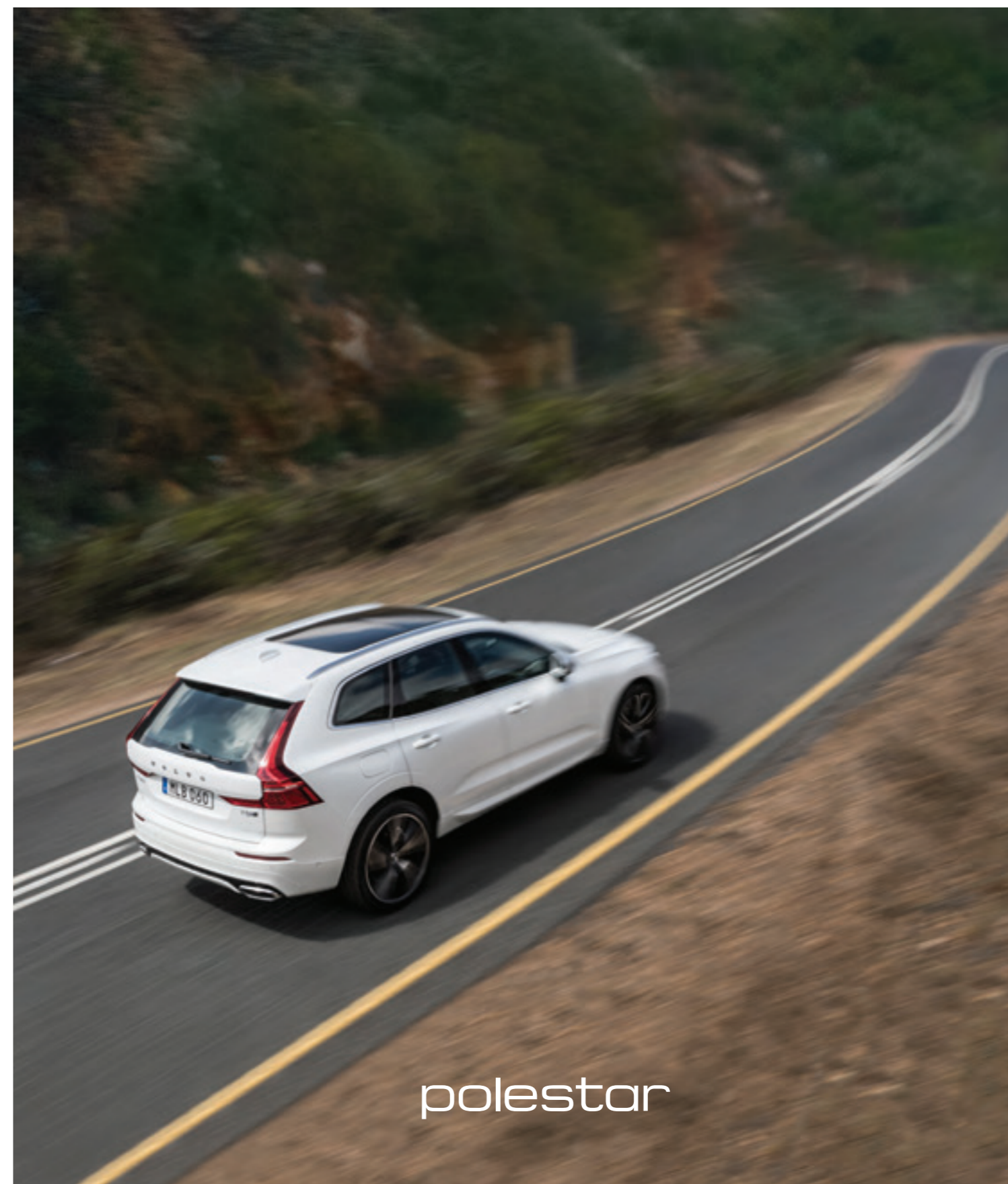
Gearshift speed has been increased, allowing the car to accelerate faster and react more directly to driver input.

Gearshift Precision and Gear Hold

The transmission has been optimized to provide a more precise driving experience with faster acceleration. Gearshift points have been calibrated to utilize the optimized mid-range engine performance, while the gear hold function maintains the same gear when cornering with high lateral g-force.

Engine Performance

All Drive-E optimizations are made to provide greater performance in the engine's mid-range powerband – perfect for the sporty driver when overtaking, joining a highway or exiting a corner.



T8 Twin Engine AWD | R-Design
707 Crystal White Pearl | 21" 5-Triple Spoke Matte Black
Diamond Cut alloy wheel – 1013 | Panoramic roof

SENSUS

SENSUS OPTIONS

Sensus Connect comes with a host of features as standard: there is voice control, our High Performance audio system, an eye-catching 9" Sensus Touchscreen and our 8" Digital Driver Display. If you'd like to enhance your experience, there's a wealth of options. For example, you can access selected apps and functions in your smartphone via the centre display using Smartphone Integration.

Then, there is Sensus Navigation and the head-up display: together, they make navigating easy and intuitive. And Volvo On Call not only includes a WiFi hotspot and a SIM-card slot, so you can go online via the car's roof aerial – it also lets you interact with your car using a smartphone app, while giving you direct access to emergency support.

SENSUS CONNECT WITH HIGH PERFORMANCE AUDIO SYSTEM

Includes the following standard features:

- 8" Digital Driver Display (T5 only), 12.3" Driver Display
- 9" Sensus Touchscreen
- Bluetooth® audio streaming
- SiriusXM™ Satellite Radio with 6 month trial
- Smartphone Integration* with an additional USB input (Apple CarPlay™ for iPhone® 5 or later, or Android Auto™ for Android smartphone 5.0 Lollipop or later)
- USB inputs
- Voice control
- Steering wheel controls
- Tethering via WiFi or Bluetooth®
- High Performance audio system (330W, 10 speakers)
- Internet radio via apps
- Volvo On Call with Engine Remote Start 4-Year Complimentary Subscription
- Sensus Navigation (T6 and T8)

SENSUS CONNECT OPTIONS

In addition, the following options are available:

- 12.3" Digital Driver Display (T5 only)
- Heads-up Display

For more information please see: www.apple.com/ios/carplay/ or www.android.com/auto/

Apple CarPlay and CarPlay are trademarks of Apple Inc. Android Auto is a trademark of Google Inc.

BOWERS & WILKINS

Our top-of-the-line audio system, developed exclusively for your XC60 together with the renowned high-end audio manufacturer Bowers & Wilkins:

- 12-channel 1100 W Class D amplifier
- 15 Bowers & Wilkins speakers, including a subwoofer
- Quantum Logic Surround sound system
- Dirac Dimensions room transformation technology with three room modes: Concert, Studio and Stage
- Dirac Live sound enhancement technology
- Stainless steel tweeter panels

INTELLISAFE

INTELLISAFE OPTIONS

Your Volvo XC60 comes with comprehensive IntelliSafe technologies as standard, including all the safety you'd expect from a Volvo and more. You'll also get City Safety, which encompasses technologies designed to help avoid collisions with other vehicles, pedestrians, cyclists and large animals. City Safety can also autobrake if you're about to turn into the path of an oncoming car in an intersection, while Oncoming Lane Mitigation helps you avoid collisions with

oncoming vehicles by providing automatic steering assistance. Available Pilot Assist supports your driving with semi-autonomous driving technologies such as Adaptive Cruise Control and Pilot Assist.

Add IntelliSafe Surround, and you'll get the benefit of technology that alerts you to vehicles approaching in your blind spot or from behind and can provide additional steer assist if needed, for your safety and confidence.

INTELLISAFE STANDARD

Includes:

- Rear Collision Warning with braking at standstill
- Driver Alert Control
- Lane Keeping Aid
- Automatic braking after a collision
- City Safety™ (Vehicle detection, Pedestrian and cyclist detection, Autobrake at intersection, Large animal detection)
- Safety cage
- Seat belts with reminders and pretensioners for all seats
- Front, Side & Curtain Airbags; Driver Side Knee Airbag
- Brake pedal release
- WHIPS™ – Whiplash Injury Protection System
- Run-off Road Mitigation
- Run-off Road Protection
- SIPS™ – Side Impact Protection System
- Oncoming Lane Mitigation
- Emergency Crash Notification
- Electronic Stability Control

INTELLISAFE OPTIONS

- Pilot Assist – Semi-Autonomous Drive System with Adaptive Cruise Control Electronic Stability Control
- Blind Spot Information System (BLIS) with Steer Assist & Cross Traffic Alert
- 360° Surround View Camera
- Park Assist Pilot
- Front and Rear Park Assist

XC60 STANDARD FEATURES

STANDARD FEATURES	T5 AWD	T6 AWD	T8 eAWD Plug-In Hybrid
Value			
New Car Warranty - Four Years / 80,000 kilometres	●	●	●
Standard Hybrid Battery Warranty - Eight Years / 160,000 kilometers			●
Safety			
Volvo On Call includes: Convenience features – Remote Lock/Unlock, Engine Remote Start, Send to Car, Vehicle Tracking with four-year Complimentary Subscription	●	●	●
Run-off Road Protection and Run-off Road Mitigation	●	●	●
Lane Keeping Aid	●	●	●
Driver Alert Control	●	●	●
Road Sign Information		●	●
Automatic Braking After Collision	●	●	●
City Safety with Steering Support: Low and High Speed Collision Mitigation, Pedestrian, Cyclist and Large Animal Detection	●	●	●
Front, Side & Curtain Airbags with Driver Side Knee Airbag	●	●	●
Whiplash Protection, Front Seats	●	●	●
Roll Stability Control	●	●	●
Exterior			
Laminated Panoramic Moonroof with Power Sunshade	●	●	●
LED Headlights with Thor's Hammer DRL & Auto Highbeam (AHB)	●	●	●
LED Taillights with Side Marker Lights	●	●	●
18" 5-Y Spoke Silver Alloy Wheels	●		
19" 5-Double Spoke Black Diamond Cut Alloy Wheel	○	●	
19" R-Design 5-Double Spoke Matte Black Diamond Cut Alloy Wheel			●
Aluminum Roof Rails	●	●	●
Rain Sensing Windshield Wipers	●	●	●
Dark Tinted Windows, Rear & Cargo	●	●	●
Dual Round Visible Tailpipes with Chrome Sleeves	●	●	
Dual Integrated Tailpipes		●	●
Interior			
Leather Upholstery	●	●	●
10-way, Power Front Seats including Power Lumbar and Driver Seat Memory	●	●	●
Volvo Sensus Connect with 9" Touchscreen	●	●	●
8" Digital Driver Display (Digital Instrument Cluster)	●		
12.3" Digital Driver Display (Digital Instrument Cluster)	○	●	●
High Performance Audio with 10 speakers, 330W, USB Input	●	●	●

STANDARD FEATURES	T5 AWD	T6 AWD	T8 eAWD Plug-In Hybrid
SiriusXM™ Satellite Radio with 6-Month Subscription	●	●	●
Smartphone Integration (Apple CarPlay & Android Auto)	●	●	●
Iron Ore Aluminum Inlays	●	●	
Metal Mesh Aluminum Inlays		●	●
Driftwood Inlays		●	●
Voice Control	●	●	●
Leather Steering Wheel	●	●	●
Crystal Gear Shift Knob by Orrefors®			●
Volvo Aluminum Sill Plates	●	●	●
Auto Dimming Interior Mirror	●	●	●
Clean Zone Air Quality System	●	●	●
Two-Zone Climate Control	●		
Four-Zone Climate Control	○	●	●
Luxury & Convenience			
Adjustable Drive-Mode Settings		●	●
Bluetooth Connectivity with Audio Streaming	●	●	●
Rear Park Assist Camera	●	●	●
Power Operated Tailgate	●	●	●
Hill Start Assist	●	●	●
Cargo Cover	●	●	●
Split Folding Backrest with Load Through Hatch	●	●	●
Tempa Spare Wheel (including jack kit)	●	●	
Tire Repair Kit			●
Cruise Control	●	●	●

XC60 SINGLE OPTIONS

SINGLE OPTIONS	T5 AWD	T6 AWD	T8 eAWD Plug-In Hybrid
Metallic Paint	○	○	○
Bowers & Wilkins Premium Sound	○	○	○
Four Corner Air Suspension with Four-C Active Chassis		○	○
Graphical Heads-Up Display (HUD)	○	○	○
Tailored Dashboard		○	○
Linear Lime Inlays		○	○
19" 5-Double Spoke Alloy Wheels	○		
20" 5-Double Spoke Tech Matte Black Diamond Cut Alloy Wheels		○	
21" 5-Triple Spoke Matte Black Diamond Cut Alloy Wheel		○	○

● = Standard ○ = Optional Blank = Not available

XC60 OPTIONAL PACKAGES

MOMENTUM PLUS PACKAGE (T5 Only)	
• Interior High Level Illumination	• 12.3" Driver Display (Digital Instrument Cluster)
• Full-LED Active High Beam Headlights w/ Active Bending Lights	• Four-zone Electronic Climate Control
• Headlight High Pressure Cleaning	• Keyless Drive w/ Hands-free Tailgate Opening

CLIMATE PACKAGE	
• Heated Wiper Blades	• Heated Windscreen
• Heated Steering Wheel	• Heated Rear Seats

CLIMATE PACKAGE W/ HEADS UP DISPLAY	
• Heated Wiper Blades	• Graphical Heads-Up Display (HUD)
• Heated Steering Wheel	• Heated Rear Seats

VISION PACKAGE	
• Blind Spot Information System and Cross Traffic Alert	• Retractable Rear-View Mirrors
• Automatically Dimmed Interior and Exterior Mirrors	• Park Assist Pilot w/ Park Assist Front and Rear
	• 360° Surround View Camera

CONVENIENCE PACKAGE	
• Compass (Interior Rear-view Mirror)	• Active Lane Keeping Aid
• HomeLink™ Integrated Garage Door Opener	• Electric Folding Rear Headrests
• Pilot Assist – Semi Autonomous Drive System w/ Adaptive Cruise Control	• Power Release of Rear Seats

SPORT PACKAGE (Momentum Only)	
• Contour (Sport) Seat – Leather	• Sport Steering Wheel with Gear Shift Paddles
• Mechanical Cushion Extensions, Front Seats	• Charcoal Headliner
• Sport Chassis	



The Bluetooth word mark and logos are owned by the Bluetooth SIG, Inc. and any use of such marks by Volvo Car Corporation is under license. Other trademarks and trade names are those of their respective owners.

VOLVO EUROPEAN DELIVERY

THE EXPERIENCE BEGINS IN SWEDEN

Volvo European Delivery is a unique program that gives you an exciting opportunity to pick up your new Volvo from our state-of-the-art factory in Gothenburg, Sweden. But that's just the beginning.

THE TRIP INCLUDES:

- A savings off of the Canadian base MSRP, which varies by Model
- Opportunity to personalize your new Volvo*
- Complete travel packages for Sweden and/or Europe via our travel concierge, who can help you personalize your adventure
- Two round-trip plane tickets to Gothenburg, Sweden via SAS / Plus economy seating (including private transport upon arrival)
- One overnight stay at a hotel including dinner at a local restaurant
- Premium delivery at Factory Delivery Centre (including private transport and lunch)
- Guided tour of the Volvo factory
- A visit to the Volvo Museum and/or the Volvo Cars Brand Experience Centre
- European car insurance (including Volvo Roadside Assistance and Global warranty coverage) for two weeks**
- Home shipment of your new Volvo



T6 AWD | Inscription
714 Osmium Grey Metallic



T6 AWD | Inscription
Interior | Leather Fine Nappa Perforated Blond in Blond/
Charcoal interior (WC00) | Drift Wood trim

Your adventure begins in Volvo's hometown of Gothenburg, located on Sweden's scenic west coast. Here, you will pick up your new Volvo in person as it rolls out of the factory gate. You will then have the chance to explore the world of Volvo, where you will learn all about the unique culture that inspired the elements of your car.

Please note: Changes in the order of your day's schedule may occur.

If you would like to know more about Volvo European Delivery, contact your local Volvo Cars Retailer, the Customer Care Centre at 1-800-663-8255.

With Volvo European Delivery, you can custom build and personalize* your new Volvo before taking a once-in-a-lifetime trip to pick it up in the country that built and inspired it. Volvo European Delivery delivers a car that is truly designed around you.

T6 AWD | Inscription
724 Pine Grey | 22" 10-Open Spoke Matte Black Diamond
Cut alloy wheel - W009 | Panoramic roof | Exterior Styling Kit



* Personalization is based on market requirements and specifications. All options / packages and accessories must be Canadian Market-specific.
** Global Warranty coverage remains in effect until your vehicle returns to Canada and is registered with Volvo Car Canada.

Service by Volvo

Taking care of you and your Volvo is our top priority. With a unique approach to service that is personal, professional and efficient, we get you everything you need in the simplest way possible. To make your life less complicated.

Knowing your vehicle is always up to our highest standards for as long as you own it – that's the driving force behind Service by Volvo. To help you get the most out of your Volvo, we'll ensure each service or maintenance provides peak conditioning through our expertly trained technicians, field-tested repair methods, and precision-engineered genuine parts. That's because we focus on our promises to service your car and simplify your life.

OUR SERVICE BY VOLVO PROMISES

When you have your car serviced at an authorized Volvo dealer, we promise to provide you with a premium ownership experience for the life of your vehicle. Enjoy our Lifetime Parts and Labour Warranty,* so you pay only once, knowing your car is always up to our highest standards. Receive free technical software updates** and more. No sign-up required.



Lifetime Parts & Labour Warranty*



Free Software Updates**



Complimentary Car Wash



Alternative Transportation

* Excludes consumable parts due to normal wear. See dealer for details. Non-transferable.

** New software required as part of a repair or accessory installation is not included.

The most carefree way to own a car. Ever.

LEASING OPTIONS*

FLEXIBLE TERMS

Leasing is available for terms as short as 24 months or up to 48 months. You can drive a new Volvo car every few years while within the manufacturer warranty and maintenance plans and without the burden of negotiating trade-in values.

CHOICE OF MILEAGE PLANS

The standard mileage option allows up to 24,000 kilometres per year, however, several other mileage plans are available to tailor to your commuting needs. Under the low mileage plan, options are available as low as 12,000 kilometres per year and we also offer plans for drivers who will exceed 24,000 kilometres per year.

MULTIPLE SECURITY DEPOSIT LEASE

A multiple security deposit lease allows you to place a lump sum refundable security deposit at lease inception, which reduces your monthly lease charge resulting in substantial savings over the term of the lease. The additional security deposits are refunded to you at the end of the lease term.

GUARANTEED AUTO PROTECTION (GAP) WAIVER

Our GAP Waiver is included in your lease agreement at no additional cost to you. It is provided to give you peace of mind. If your leased Volvo car is declared a total loss due to theft, accident, or natural disaster, we will cover the difference between the insurance proceeds and the balance owed to Volvo Car Financial Services less any deductible.

EXCESS WEAR AND TEAR ADVANTAGE

As a part of everyday driving, normal wear and use can be expected. However, when turning in your leased vehicle, you may be responsible for any excess wear and use damage, therefore, Volvo Car Financial Services offers an optional plan to protect you and your car from unexpected occurrences that happen from nature and chance.

FINANCE OPTIONS*

Volvo Car Financial Services (VCFS) offers affordable and competitive financing on new and Volvo Certified Pre-Owned cars. Our low rates and flexible terms can get you behind the wheel of the Volvo you want to drive with finance terms up to 72 months.

*On approved credit, please contact your local Volvo car retailer for detailed information on Financial Services Options.

SPECIAL PROGRAMS

VOLVO MOBILITY PROGRAM

The goal of the Volvo Mobility Program is to assist persons with physical disabilities or hearing impairment. For those with exceptional transportation needs, this can be facilitated within the extraordinary comfort and safety of a specially adapted Volvo car. For additional information on this program, please contact **Mobility by Volvo Customer Care** at **1-800-663-8255**.

VOLVO EUROPEAN DELIVERY PROGRAM

The Volvo European Delivery Program offers a unique way to buy your new custom-built car as well as a unique way to see more of Europe. When you're done traveling, bring the pleasure of driving a Volvo car back home. Purchase any new Volvo car as part of the Volvo European Delivery Program and enjoy all this, and more:

- Attractive pricing on Canadian models.
- Access to colours and certain features normally only available in Europe.
- 15 days of international insurance and temporary European registration included.
- Two complimentary round-trip tickets to Scandinavia (a peak season surcharge may apply).
- One free hotel night in Gothenburg, Sweden, the home of Volvo Cars.
- An exciting Volvo Cars factory tour or a visit to the new Volvo Brand Experience Center.
- An exclusive VIP delivery experience at the Volvo Cars Factory Delivery Centre.
- The opportunity to explore Europe in the comfort and safety of your own Volvo car, either with one of our spectacular tours or on your own.
- Complimentary home shipment services. Just leave your car with us. We'll ship it to you the convenient way while you relax and enjoy your complimentary flight back home.

Can you think of a better way of traveling overseas and making your souvenir part of an unforgettable experience? If you would like to know more, contact your local Volvo car retailer, our Customer Care Centre 1-800-663-8255, or visit www.volvocars.ca

SERVICE AND WARRANTY

VOLVO ROADSIDE ASSISTANCE

Whenever you need us, we're just a phone call away. Our nationwide network of retailers and authorized service providers are ready to assist. Whether you require roadside assistance or maps and routing information for your next trip, refer to your Volvo Roadside Assistance card and dial **1-800-263-0475** at any time. Your complimentary four-year membership activates the moment you become a Volvo owner. A connection to Volvo Roadside Assistance can also be made through our free Volvo On Call app. Download it for iPhone or Android by typing Volvo On Call through your app store.

VOLVO NEW CAR WARRANTY

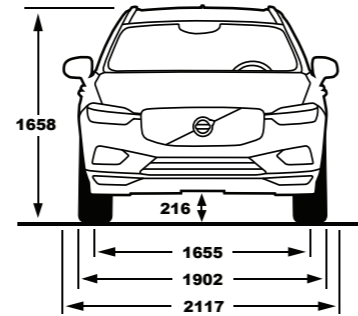
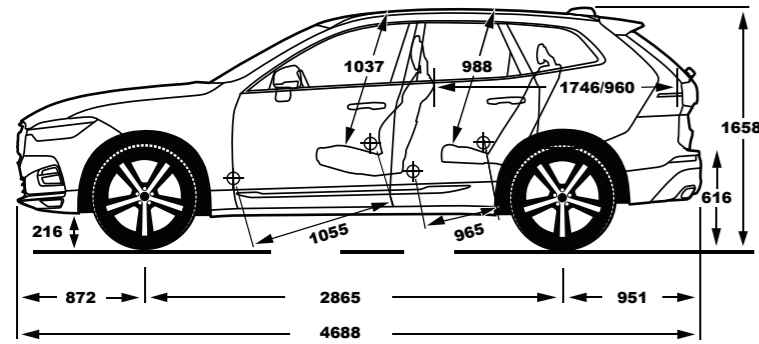
Your new-car warranty provides comprehensive coverage for four years or 80,000 kilometres, whichever occurs first. Additional warranties cover corrosion, seat belts, the supplemental restraint system, hybrid components emission systems, genuine Volvo car replacement parts and genuine Volvo accessories. Should you encounter any problem with your Volvo car, simply contact the nearest retailer for assistance. Where your warranty ends, Volvo Increased Protection (VIP) plans begin.

To purchase the additional protection of a VIP plan, contact your local retailer.

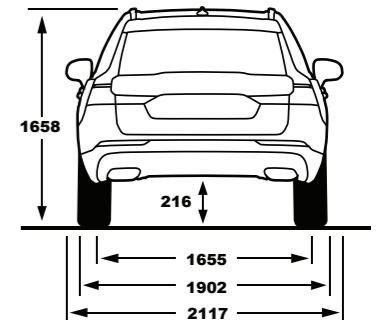
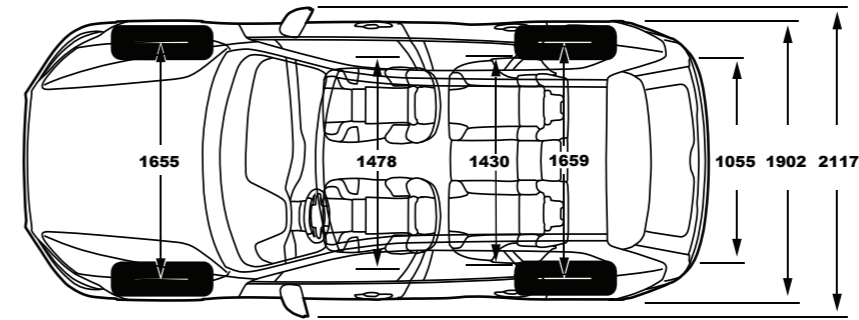
SERVICE BY VOLVO

Our promise to you each time you service your car

- Lifetime warranty
- Complimentary software updates
- Alternative transportation
- Complimentary car wash



Measurements are in millimetres (mm)



Measurements are in millimetres (mm)

Vehicle Specification:

T5 AWD

Engine:	2.0L, Inline 4-cylinder, Turbocharged
Transmission:	8-speed Automatic Geartronic™
Fuel Tank Capacity:	71 L
Horsepower at rpm:	250hp at 5500 rpm
Acceleration 0-100 km/h:	6.8 sec
Top Speed:	210 km/h
Max Torque lb-ft at rpm:	258 lb-ft at 1500 rpm
Fuel Economy (L/100 km) (City / Highway / Combined):	10.7 / 8.5 / 9.8
Cargo Space, Max:	1,792 L
Towing Capacity:	1,580 kg
Exterior Length/Width/Height (mm):	4,688 / 2,117 / 1,658
Interior Headroom w. Panoramic Moonroof (Front/Rear):	1,009 mm
Interior Legroom (Front/Rear):	1,055 mm / 965 mm
Seating Capacity:	5

Vehicle Specification:

T6 AWD

T8 eAWD Plug-In Hybrid

Engine:	2.0L Inline 4-cylinder, Supercharged and Turbocharged	2.0L Inline 4-cylinder, Supercharged and Turbocharged with Electric Motor
Transmission:	8-speed Automatic Geartronic™	8-speed Automatic Geartronic™
Fuel Tank Capacity:	71 L	50 L
Horsepower at rpm:	316 hp at 5700 rpm	400 hp at 6,000 rpm
Acceleration 0-100 km/h:	5.9 sec	5.3 sec
Top Speed:	210 km/h	210 km/h
Max Torque lb-ft at rpm:	295 lb-ft at 2200 rpm	472 lb-ft at 2200 rpm
Fuel Economy (L/100 km) (City / Highway / Combined):	11.4 / 8.7 / 10.2	TBD
Cargo Space, Max:	1,792 L	1792 L
Towing Capacity:	1,580 kg	1,580 kg
Exterior Length/Width/Height (mm):	4,688 / 2,117 / 1,658	4,688 / 2,117 / 1,658
Interior Headroom w. Panoramic Moonroof (Front/Rear):	1,009 mm	1,009 mm
Interior Legroom (Front/Rear):	1,055 mm / 965 mm	1,055 mm / 965 mm
Seating Capacity:	5	5
Lithium-Ion Battery Capacity:	N/A	10.4 kWh

Please note: Some of the information in this brochure may be incorrect due to changes in product specifications that may have occurred since printing. Some of the equipment described or shown may now only be available at extra cost. Before ordering, please ask your Volvo Cars retailer for the latest information. The manufacturer reserves the right to make changes at any time and without notice to prices, colours, materials, specifications and models.

V O L V O

MODEL YEAR 2018 | VOLVOCARS.CA

Specifications, features, and equipment shown in this catalogue are based upon the latest information available at the time of publication. Volvo Car Canada Ltd. reserves the right to make changes at any time, without notice, to colours, specifications, accessories, materials, and models. Some vehicle images are not shown to Canadian specification and may show European model features that may not be available in Canada. For additional information, please contact your authorized Volvo Cars retailer. © 2017 Volvo Car Canada Ltd. Printed in Canada.

MY18

Product Code **7778082**