



THE ALL-NEW 2019
VOLVO V60





Contents

Volvo V60.....	2
Design.....	6
Sensus.....	12
IntelliSafe.....	18
Your Choice	
V60 Momentum.....	20
V60 Inscription.....	26
Accessories.....	32
Overseas Delivery.....	34
The Volvo Experience.....	36

WHEN WE INNOVATE, YOU ARE TOP OF MIND

We admit it. You fascinate us. We think and talk about you all day. Everything about your life – its ups and downs, joys and disappointments, needs, demands, frustrations and hopes – captivates us.

So when we innovate, every detail, from service design right down to the tiniest screw, has to justify itself to you. Does it add anything? Is it useful?

All this time spent thinking about your life has allowed good things to happen. Perhaps you didn't know, but we have a vision that by 2020 nobody dies or is seriously injured in a new Volvo. Nice-sounding words? Not at all, it's realistic and achievable.

We know you live a rich, fulfilling life in almost every way. We say almost, because there's one commodity you seem to be short of. Time. So by 2025, we aim to pack every new Volvo with enough smart solutions to free up a whole week of quality time per year. 168 hours to do with as you please.

We also know you care about the future of the planet. That's why our Drive-E technologies allow you to drive sustainably – without compromising on performance. We know you want to stay connected to the world around you. Our Sensus solutions ensure you are. We know you always want to feel in control. Our IntelliSafe technologies not only help to save lives, but also give you more enjoyment behind the wheel.

We happily walk the extra mile to give you what you want.

You are why we innovate.



T6 | Inscription
727 Pebble Grey metallic | 19" 5-multi spoke
Black Diamond Cut alloy wheels

MOMENTS MAKE MEMORIES

Life is about the experience. Making the most of every moment. The moments of calm. The moments of freedom. The moments of confidence. Creating memories that will last forever.

With versatility, intuitive technology and engaged dynamics, the All-New Volvo V60 is the car with which you will share life's little – and big – moments. A car that is the ultimate lifestyle enabler.



T6 AWD | Inscription
727 Pebble Grey metallic, 19" 5-Multi Spoke
Black Diamond Cut alloy wheel



CONFIDENT SCANDINAVIAN DESIGN

The purity of line and purpose that defines the Volvo V60 is classic Scandinavian design. Dynamic, elegant and meticulously thought out, this is a car that projects confidence.

It's the little things that make the biggest differences. Deeply sculpted sides emphasize the car's athletic character, while a roof spoiler further conveys the dynamic nature of the V60. Large side windows suggest a spacious interior, and finely crafted details such as the dignified front grille and LED lights – front and rear – help lend it a strong identity.

Inside the V60, you're in a place where Scandinavian design and Swedish craftsmanship meet. A place where all the occupants travel in comfort, thanks to superb seats and individually adjustable climate control. Clean, uncluttered design combines form and function. Authentic materials and refined details, such as the diamond pattern on the control knobs and the optional tailored dashboard, create a sense of contemporary luxury.

This is the bold new wave of Volvo Cars' design, personified.

Sophisticated exterior design cues enhance the luxurious look and feel of the Volvo V60. The unique chrome-finish grille and Thor's Hammer headlights accentuate the car's dynamic presence in a style that is distinctly Volvo.



Black exterior details contrast with sleek metallic and chrome finishes to highlight the car's dynamic, yet elegant, Scandinavian design.



Integrated tailpipes in stainless steel merge seamlessly into the sculpted rear bumper for a sporty and graceful appearance.

The panoramic sunroof and large windows featured on the V60 provides the car with an abundance of natural lighting, alluding to a more expansive interior and furthering the luxuriously indulgent ride experience for all of your passengers.



The distinctive air vents have controls with a metal finish and a diamond-pattern on the knob. Driftwood trim is a unique wood treatment, influenced by Volvo Cars' Swedish heritage.



Our driver-centric, 9-inch Sensus Touchscreen replaces physical buttons with virtual equivalents facilitating ease of use.



Spacious, filled with light and beautifully made, the interior of the V60 is a place where you'll delight in the details.



T6 | Inscription
727 Pebble Grey metallic



YOUR WELL-CONNECTED GUIDE

Intuitive technology in the Volvo V60 helps get you where you need to go quickly and effortlessly. Clear graphics on the Sensus Navigation system are easy to read, while the portrait format of the centre display means maps scroll less and are able to show more of the road that you are travelling on.

Our innovations also save you time by helping you find what you're looking for, with built-in apps such as Google Search.

Find a gas station, a restaurant or a hotel and then use Sensus Navigation to take you there.

The V60 keeps you connected with your digital world with an onboard Wi-Fi hotspot and 4G connectivity. Connecting your phone to the car is as easy as plugging it in – Apple CarPlay™ or Android Auto™ will do the rest, turning the centre display into an extension of your phone's screen.



Voice control

Volvo Cars' latest voice recognition technology understands natural speech, so you can simply talk naturally to your car – there's no need to memorize specific phrases to operate climate control, navigation, media or telephone features.



Sensus Navigation

With its clear mapping, seamless connectivity and ease of use, Sensus Navigation is your companion on every drive, taking care of the journey and leaving you to enjoy every moment of it.



Smartphone integration

Apple CarPlay™ or Android Auto™ allows you to easily connect your smartphone to your car. All you need to do is plug it in and the centre display will show you the same type of interface that you'll recognize from your phone's home screen.



HEAR THE DIFFERENCE

Immerse yourself in the clarity and detail of your favourite music in the Volvo V60. By working with some of the world's finest audio makers, we've created an in-car experience that brings you closer to the music you love.

The V60 is designed with exceptional audio performance in mind. Audio systems from Harman Kardon® and Bowers & Wilkins ensure superb sound every time.

Harman Kardon® Premium Sound is one of our high-level sound options. The system uses 14 speakers to surround you with music and delivers 600 watts of sound via a 12-channel amplifier. Dirac Unison tuning software automatically adjusts the intensity of the sound so when you are listening to different recordings or sources, you don't have to adjust the volume yourself.

The advanced technology of the range-topping Bowers & Wilkins package uses 15 different speakers to deliver unrivaled 1100-watt performance, highlighted by the unique 'open air' subwoofer that produces rich, resonant bass notes. This system also uses unique technology developed with the Swedish audio software specialists, Dirac Research, that can change the in-car acoustics to resemble a performance space – one of which is the Gothenburg concert hall – for a more lifelike sound.



A unique sound processing software, by audio specialists Dirac Research, optimises the response of each individual speaker as well as the speakers all together to ensure they perform in perfect harmony. So whether you're seated in the front or rear seats, you can enjoy a seamless first-class listening experience in all conditions and with an extremely unified and tight bass sound.

ALWAYS CONNECTED

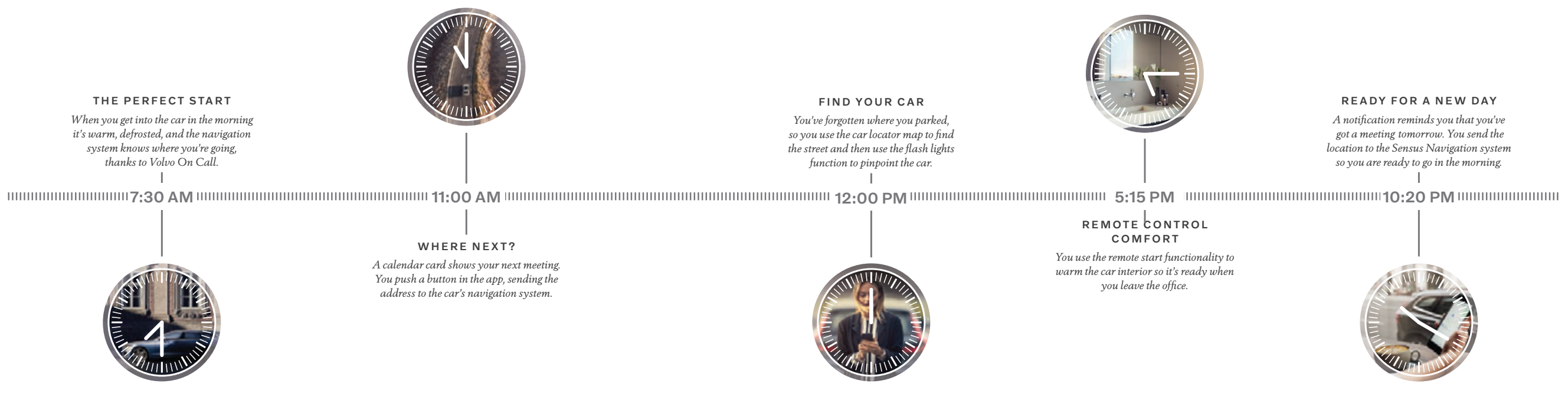
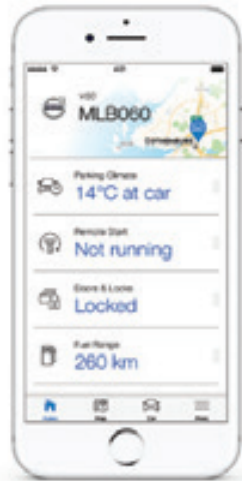
The Volvo On Call app connects your car with the rest of your world, helping make life less complicated. It's always there when you need it, so your car becomes more than just a means of travel – it's your personal assistant.

You can use it to prepare your car for the drive to the office or the drive home by remotely cooling or heating the cabin. It can remind you that you have left your car unlocked and allow you to remotely lock or unlock your car from anywhere in the world. You can sync your Volvo On Call app with your calendar, so if you have appointments it will tell your car where they are and how to get there. And it keeps you safe, automatically contacting emergency services if you're involved in an accident and telling them where you are.



YOUR DAY MADE EASIER WITH VOLVO ON CALL

From saving you time in the morning to helping you relax on the way home, Volvo On Call can be an integral part of your daily routine.



CITY SAFETY TECHNOLOGY, YOUR PROACTIVE PARTNER ON THE ROAD

Our advanced proactive safety technology helps you feel confident and in control. At the heart of this technology is City Safety. By helping you keep a lookout and brake or steer away if necessary, it makes driving more enjoyable while helping to prevent accidents.

City Safety can identify other vehicles, pedestrians, cyclists and large animals ahead of you, even at night. It warns you if necessary and can brake automatically to help avoid a collision or reduce impact. Our advanced Oncoming Mitigation by Braking technology – a Volvo Cars safety world first – can detect if there's

another vehicle driving towards you and brakes automatically to mitigate the impact.

Your Volvo can also support you if you're forced into rapid evasive action at speeds between 50 and 100 km/h. As you begin to steer away, City Safety can help you do it as effectively and safely as possible by braking the inner wheels individually and reinforcing your steering input.

City Safety is your perfect co-pilot: proactive when it's needed, and staying discreetly in the background the rest of the time.



Oncoming Mitigation by Braking

A Volvo Cars safety world first, this innovation can detect vehicles heading towards you on the wrong side of the road. If a collision can't be avoided, it will automatically apply the brakes to help reduce the effect of a collision.



Oncoming Lane Mitigation

If you drift across the lane markings and into the path of oncoming traffic, your car warns you and gently steers you back onto the correct path. Using the automatic steering assistance, this safety system will help to avoid collisions with oncoming vehicles.



Lane Keeping Aid

The Lane Keeping Aid will gently steer your car back into its lane if it senses you are about to inadvertently cross into a different lane. If this is not enough or if you keep steering across the lane markings, you'll be alerted with vibrations in the steering wheel.



Run-off road Mitigation

Stay safely on the road with this Volvo Cars safety innovation. If Run-off road Mitigation detects you're about to leave the road unintentionally, it uses steering input and, if necessary, brake support to guide you back on track.



BLIS™

BLIS™ uses radar sensors at the rear of the car to monitor your surroundings, and detect if vehicles have entered your blind spot or are approaching fast from behind. If you pull into the path of an approaching vehicle it will also alert you.



Driver Alert Control

If you are getting fatigued or lose concentration at the wheel, Driver Alert Control will alert you and suggest a break. With Sensus Navigation, it can even guide you to the nearest safe and convenient location for a rest-stop.



VOLVO V60 MOMENTUM CONTEMPORARY DYNAMIC STYLE

The Volvo V60 Momentum embodies the essence of confident Scandinavian design. Unique black exterior design cues together with the 17-inch, 18-inch or 19-inch alloy wheels, add to the car's dynamic road presence, while the dual stainless steel tailpipes add a powerful finish.

On the inside, aluminum tread plates welcome you every time you enter the cabin of your V60 Momentum. You can enjoy the control provided by our 8-inch driver display and Sensus Connect with enhanced connectivity, such as the intuitive operation of our 9-inch centre display with touch screen and voice control. Volvo On Call connects your car with your smartphone and provides you with access to a wide range of smart services, while everybody on board will appreciate the clear sound reproduction of our High Performance audio system including Bluetooth® music streaming. For a truly high-level sound experience, Harman Kardon® Premium Sound

with 14 hi-fi speakers, including an air-ventilated subwoofer, is available as an option.

Our two-zone climate system ensures you and your passengers can enjoy a comfortable cabin climate in all temperatures – the driver and front seat passenger can adjust the temperature to suit individual preferences. As the driver, you will enjoy the feel of a leather-clad steering wheel with Silk Metal inlays, a leather-clad gear lever and ergonomic front seats with power adjustable 2-way lumbar support for your long distance comfort.

The seats are upholstered in Charcoal, Amber and Blonde Leather upholstery, or contemporary City Weave Textile. Textile floor mats and Iron Ore aluminum decor further complement the interior ambience. And when it's dark, the interior illumination enhances the luxurious feeling inside your V60 Momentum.

1. Park Assist supports you when reversing, and the chrome dual tailpipes give your V60 Momentum a more dynamic look. **2.** Inside the V60 Momentum, you can enjoy the optional contemporary spirit of our City Weave textile upholstery and Iron Ore aluminum decor. **3.** The Iron Ore aluminum decor in the dashboard perfectly complements the dynamic character of your V60 Momentum. The large 9-inch centre display with touch screen keeps you connected and in control, while our Harman Kardon premium audio system with 14 speakers provides excellent sound. **4.** The standard 8-inch driver display allows you to choose between different visual appearances. To provide optimum visibility, the display's brightness automatically adapts to exterior light conditions.



1



2



3

4



17" 5-Double spoke,
Silver, 1035
(Standard for T5)



18" 5-Open spoke,
Black Diamond Cut, 1037
(Optional for T5, Standard for T6)



19" 5-V spoke,
Tinted Silver Diamond Cut, 1040
(Optional for T6)

The wide range of exterior colours and wheels allows you to create a Volvo wagon that's right for you. Sporty and elegant 17-inch alloy wheels in Silver finish come standard, and to further enhance the appearance of your Volvo V60 Momentum, you have the option of larger 18- or 19-inch wheels. The exterior colour you choose has a dramatic impact

on the personality of your V60 Momentum. Available in different variations, each colour imbues your Volvo with a sense of dynamic refinement. Inspired by nature, our new metallic colours Birch Light and Pebble Grey add a distinctively Scandinavian touch to your V60 Momentum.



614
Ice White



707
Crystal White pearl



711
Bright Silver metallic



723
Denim Blue metallic



714
Osmium Grey metallic



492
Savile Grey metallic



726
Birch Light metallic



727
Pebble Grey metallic



717
Onyx Black metallic



019
Black Stone



725
Fusion Red metallic

Comfort seat



For a contemporary look and feel, the Volvo V60 Momentum features comfort seats upholstered in Leather or optional City Weave Textile upholstery. The dynamic interior ambience is further enhanced by Iron Ore aluminum decor and aluminum tread plates.



1



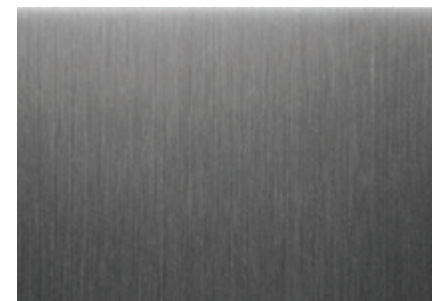
2



3



4



5



Inscription

A HIGHER GRADE OF DYNAMIC REFINEMENT

The sophisticated Volvo V60 Inscription expresses the essence of dynamic contemporary luxury. The 10-multi spoke 18-inch alloy wheels in distinctive Black Diamond Cut design harmonize perfectly with the chrome finish grille, the bright decor side window trim and the bright integrated roof rails. The elegant dual integrated tailpipes and wheels also contribute to the car's confident stance. Our signature LED illumination reinforces a strong visual identity and provides excellent vision in the dark.

Inside, the luxurious theme continues with authentic, finely crafted materials that create a luxurious, lounge-like atmosphere.

You can lean back in a sculpted power-operated Comfort seat upholstered in smooth Nappa Leather. Power-operated 4-way lumbar support and adjustable cushion extensions enhance long distance comfort. Unique Driftwood decor – our most advanced interior ambience illumination – and our tailored dashboard add to the exclusive Inscription experience.

For an even higher level of comfort, equip your front seats with an optional massage function. You could also transform your V60 Inscription into a concert hall; our optional high-end Bowers & Wilkins audio system brings exceptional clarity and realism to your music, wherever you're seated.

1. Dual integrated tailpipes and bright decor trim enhance the elegant and powerful impression from the rear. **2.** Rear seat passengers can enjoy comfort and convenience from a centre armrest with integrated cup holders and storage. **3.** The sculpted Comfort seats with Perforated Fine Nappa Leather upholstery and adjustable seat cushion extensions, Driftwood decor and tailored dashboard provide a sensory experience of contemporary luxury. The tunnel console features a scroll wheel in a diamond-patterned metal finish that allows you to select your preferred drive mode and steering characteristics. **4.** The exclusive Driftwood decor in the dashboard and tunnel console resembles the look and feel of wood shaped by the natural force of water, wind and waves. **5.** The Perforated Fine Nappa Leather front seats feature perforated Nappa Leather on the seating panels and contrasting stitching for a sporty, luxurious look and feel. It also includes seat ventilation for optimal comfort. **6.** The intuitive 12-inch driver display with four graphic modes and the 9-inch centre display with touch screen puts you in the centre of action.



1



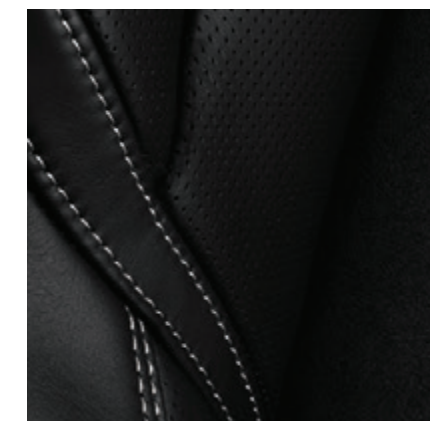
2



3



4



5



6



18" 10-Multi spoke,
Black Diamond Cut, 1038
(Standard)



19" 5-Double spoke,
Black Diamond Cut, 1041
(Optional)

The Volvo V60 Inscription exterior is a timeless expression of bold Scandinavian design. The exterior colour palette allows you to create the V60 Inscription that best reflects your style and preferences. Sophisticated metallic colours such as Denim

Blue, Pine Grey, and Onyx Black add an extra touch of modern luxury. Available in distinctive Diamond Cut design, the 18- or 19-inch alloy wheels visually complement exterior design cues, enhancing the car's powerful yet elegant appearance.



614
Ice White



707
Crystal White pearl



711
Bright Silver metallic



723
Denim Blue metallic



714
Osmium Grey metallic



492
Savile Grey metallic



726
Birch Light metallic



727
Pebble Grey metallic



724
Pine Grey metallic



717
Onyx Black metallic



019
Black Stone



725
Fusion Red metallic

Comfort seat



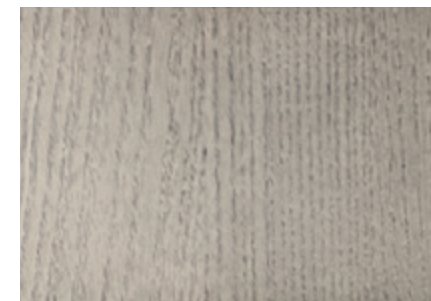
Inside the Volvo V60 Inscription, you are surrounded by luxury. There are genuine materials and fine craftsmanship wherever you look; your sensory experience is further enhanced by details such as Driftwood inlays and the ergonomically designed Comfort seats. The seats are available in Perforated Fine Nappa leather and include power-operated side support, power seat cushion extensions and ventilation.



2



3



4

GET READY

We designed the Volvo V60 to be your versatile partner, allowing you to do what you want to do. To make your Volvo wagon work even harder for you, just add our pack and load accessories.

Designed to look good and work flawlessly, they will make life less complicated and help you bring the gear you need for every adventure.



1

1. Roof box, designed by Volvo Cars.



2



3



4



5



6



7

2. Load carriers. 3. Reversible/folding textile load compartment mat (with integrated bumper cover). 4. Shaped plastic load compartment mat. 5. Protective steel grille. 6. Foldable towbar, semi-electric. 7. Retractable ski holder.

VOLVO EUROPEAN DELIVERY

THE EXPERIENCE BEGINS IN SWEDEN

Volvo European Delivery is a unique program that gives you an exciting opportunity to pick up your new Volvo from our state-of-the-art factory in Gothenburg, Sweden. But that's just the beginning.

THE TRIP INCLUDES:

- A savings off of the Canadian base MSRP, which varies by Model
- Opportunity to personalize your new Volvo*
- Complete travel packages for Sweden and/or Europe via our travel concierge, who can help you personalize your adventure
- Two round-trip plane tickets to Gothenburg, Sweden via SAS / Plus economy seating (including private transport upon arrival)
- One overnight stay at a hotel including dinner at a local restaurant
- Premium delivery at Factory Delivery Centre (including private transport and lunch)
- Guided tour of the Volvo factory
- A visit to the Volvo Museum and/or the Volvo Cars Brand Experience Centre
- European car insurance (including Volvo Roadside Assistance and Global warranty coverage) for two weeks**
- Home shipment of your new Volvo



Your adventure begins in Volvo's hometown of Gothenburg, located on Sweden's scenic west coast. Here, you will pick up your new Volvo in person as it rolls out of the factory gate. You will then have the chance to explore the world of Volvo, where you will learn all about the unique culture that inspired the elements of your car.

With Volvo European Delivery, you can custom build and personalize* your new Volvo before taking a once-in-a-lifetime trip to pick it up in the country that built and inspired it. Volvo European Delivery delivers a car that is truly designed around you.

Please note: Changes in the order of your day's schedule may occur.

If you would like to know more about Volvo European Delivery, contact your local Volvo Cars Retailer, the Customer Care Centre at 1-800-663-8255.

* Personalization is based on market requirements and specifications. All options / packages and accessories must be Canadian Market-specific.
 ** Global Warranty coverage remains in effect until your vehicle returns to Canada and is registered with Volvo Car Canada.

T6 AWD | Inscription
 727 Pebble Grey metallic | 19" 5-Multi Spoke
 Black Diamond Cut alloy wheels



Service By Volvo

Taking care of you and your Volvo is our top priority. With a unique approach to service that is personal, professional and efficient, we get you everything you need in the simplest way possible. To make your life less complicated.

Knowing your vehicle is always up to our highest standards for as long as you own it – that's the driving force behind Service by Volvo. To help you get the most out of your Volvo, we'll ensure each service or maintenance provides peak conditioning through our expertly trained technicians, field-tested repair methods, and precision-engineered genuine parts. That's because we focus on our promises to service your car and simplify your life.

OUR SERVICE BY VOLVO PROMISES

When you have your car serviced at an authorized Volvo dealer, we promise to provide you with a premium ownership experience for the life of your vehicle. Enjoy our Lifetime Parts and Labour Warranty,* so you pay only once, knowing your car is always up to our highest standards. Receive free technical software updates** and more. No sign-up required.



Lifetime Parts & Labour Warranty*



Free Software Updates**



Complimentary Car Wash



Alternative Transportation

* Excludes consumable parts due to normal wear. See dealer for details. Non-transferable.v

** New software required as part of a repair or accessory installation is not included.

The most carefree way to own a car. Ever.

LEASING OPTIONS*

FLEXIBLE TERMS

Leasing is available for terms as short as 24 months or up to 48 months. You can drive a new Volvo car every few years while within the manufacturer warranty and maintenance plans and without the burden of negotiating trade-in values.

CHOICE OF MILEAGE PLANS

The standard mileage option allows up to 24,000 kilometres per year, however, several other mileage plans are available to tailor to your commuting needs. Under the low mileage plan, options are available as low as 12,000 kilometres per year and we also offer plans for drivers who will exceed 24,000 kilometres per year.

MULTIPLE SECURITY DEPOSIT LEASE

A multiple security deposit lease allows you to place a lump sum refundable security deposit at lease inception, which reduces your monthly lease charge resulting in substantial savings over the term of the lease. The additional security deposits are refunded to you at the end of the lease term.

GUARANTEED AUTO PROTECTION (GAP) WAIVER

Our GAP Waiver is included in your lease agreement at no additional cost to you. It is provided to give you peace of mind. If your leased Volvo car is declared a total loss due to theft, accident, or natural disaster, we will cover the difference between the insurance proceeds and the balance owed to Volvo Car Financial Services less any deductible.

EXCESS WEAR AND TEAR ADVANTAGE

As a part of everyday driving, normal wear and use can be expected. However, when turning in your leased vehicle, you may be responsible for any excess wear and use damage, therefore, Volvo Car Financial Services offers an optional plan to protect you and your car from unexpected occurrences that happen from nature and chance.

FINANCE OPTIONS*

Volvo Car Financial Services (VCFS) offers affordable and competitive financing on new and Volvo Certified Pre-Owned cars. Our low rates and flexible terms can get you behind the wheel of the Volvo you want to drive with finance terms up to 72 months.

*On approved credit, please contact your local Volvo car retailer for detailed information on Financial Services Options.

SPECIAL PROGRAMS

VOLVO MOBILITY PROGRAM

The goal of the Volvo Mobility Program is to assist persons with physical disabilities or hearing impairment. For those with exceptional transportation needs, this can be facilitated within the extraordinary comfort and safety of a specially adapted Volvo car. For additional information on this program, please contact **Mobility by Volvo Customer Care at 1-800-663-8255.**

VOLVO EUROPEAN DELIVERY PROGRAM

The Volvo European Delivery Program offers a unique way to buy your new custom-built car as well as a unique way to see more of Europe. When you're done traveling, bring the pleasure of driving a Volvo car back home. Purchase any new Volvo car as part of the Volvo European Delivery Program and enjoy all this, and more:

- Attractive pricing on Canadian models.
- Access to colours and certain features normally only available in Europe.
- 15 days of international insurance and temporary European registration included.
- Two complimentary round-trip tickets to Scandinavia (a peak season surcharge may apply).
- One free hotel night in Gothenburg, Sweden, the home of Volvo Cars.
- An exciting Volvo Cars factory tour or a visit to the new Volvo Brand Experience Centre.
- An exclusive VIP delivery experience at the Volvo Cars Factory Delivery Centre.
- The opportunity to explore Europe in the comfort and safety of your own Volvo car, either with one of our spectacular tours or on your own.
- Complimentary home shipment services. Just leave your car with us. We'll ship it to you the convenient way while you relax and enjoy your complimentary flight back home.

Can you think of a better way of traveling overseas and making your souvenir part of an unforgettable experience? If you would like to know more, contact your local Volvo car retailer, our Customer Care Centre 1-800-663-8255, or visit www.volvocars.ca

SERVICE AND WARRANTY

VOLVO ROADSIDE ASSISTANCE

Whenever you need us, we're just a phone call away. Our nationwide network of retailers and authorized service providers are ready to assist. Whether you require roadside assistance or maps and routing information for your next trip, refer to your Volvo Roadside Assistance card and dial **1-800-263-0475** at any time. Your complimentary four-year membership activates the moment you become a Volvo owner. A connection to Volvo Roadside Assistance can also be made through our free Volvo On Call app. Download it for iPhone or Android by typing Volvo On Call through your app store.

VOLVO NEW CAR WARRANTY

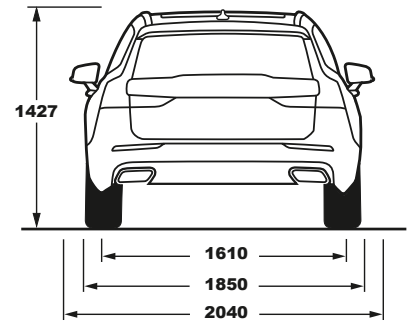
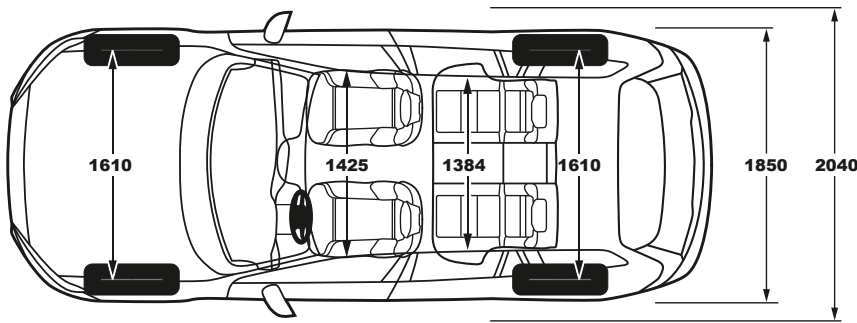
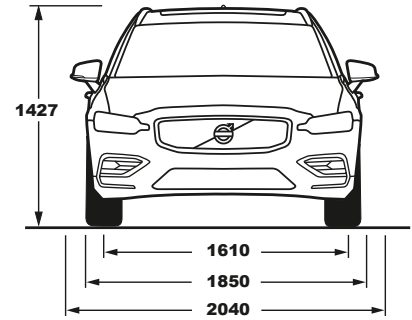
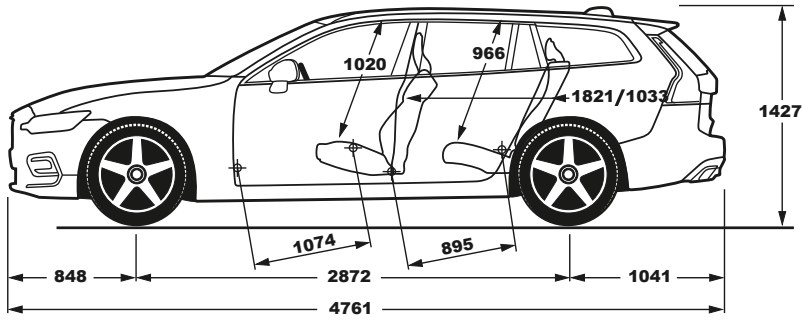
Your new-car warranty provides comprehensive coverage for four years or 80,000 kilometres, whichever occurs first. Additional warranties cover corrosion, seat belts, the supplemental restraint system, hybrid components emission systems, genuine Volvo car replacement parts and genuine Volvo accessories. Should you encounter any problem with your Volvo car, simply contact the nearest retailer for assistance. Where your warranty ends, Volvo Increased Protection (VIP) plans begin.

To purchase the additional protection of a VIP plan, contact your local retailer.

SERVICE BY VOLVO

Our promise to you each time you service your car

- Lifetime warranty
- Complimentary software updates
- Alternative transportation
- Complimentary car wash



Measurements are in millimetres (mm)

T5 FWD

T6 AWD

Engine type:	2.0L 4 Cylinder Turbocharged	2.0L 4 Cylinder Supercharged/Turbocharged
Transmission:	Eight-speed Geartronic™	Eight-speed Geartronic™
Horsepower at rpm:	250 hp @ 5,500 rpm	316 hp @ 5,700 rpm
Max. torque, lb-ft at rpm:	258 lb-ft @ 1,500-4,800 rpm	295 lb-ft @ 2,200 - 5,400 rpm
Acceleration, 0-100 km/h in sec, auto:	6.7	5.8
Top speed, km/h, auto:	210	210
Fuel tank, litres:	55	60
Max. Luggage volume, litres:	1,441	1,441
Fuel Economy (L/100 km) (City / Highway / Combined):	9.9 / 6.6 / 8.4	11.1 / 7.3 / 9.4

Please note: Some of the information in this brochure may be incorrect due to changes in product specifications that may have occurred since printing. Some of the equipment described or shown may now only be available at extra cost. Before ordering, please ask your Volvo Cars dealer for the latest information. The manufacturer reserves the right to make changes at any time and without notice to prices, colours, materials, specifications and models.

V O L V O

MODEL YEAR 2019 | VOLVOCARS.CA

Specifications, features, and equipment shown in this catalog are based upon the latest information available at the time of publication. Volvo Car Canada Ltd. reserves the right to make changes at any time, without notice, to colours, specifications, accessories, materials, and models. Some vehicle images are not shown to Canadian specification and may show European model features that may not be available in Canada. For additional information, please contact your authorized Volvo Cars retailer. © 2018 Volvo Car Canada Ltd. Printed in Canada.

MY19



Product Code 000000